

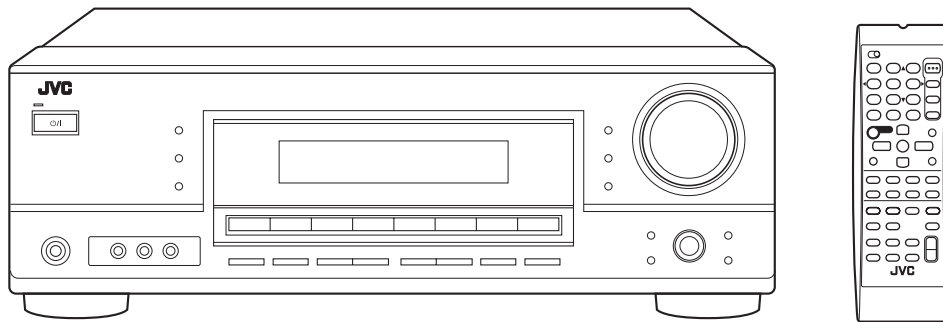
JVC

SCHEMATIC DIAGRAMS

AUDIO/VIDEO CONTROL RECEIVER

RX-5060BJ, RX-5060BC, RX-5060BE RX-5062SB, RX-5062SE, RX-5062SEN RX-5062SEV

CD-ROM No.SML200602



Radio Data System

Lead free solder used in the board (material : Sn-Ag-Cu, melting point : 219 Centigrade)

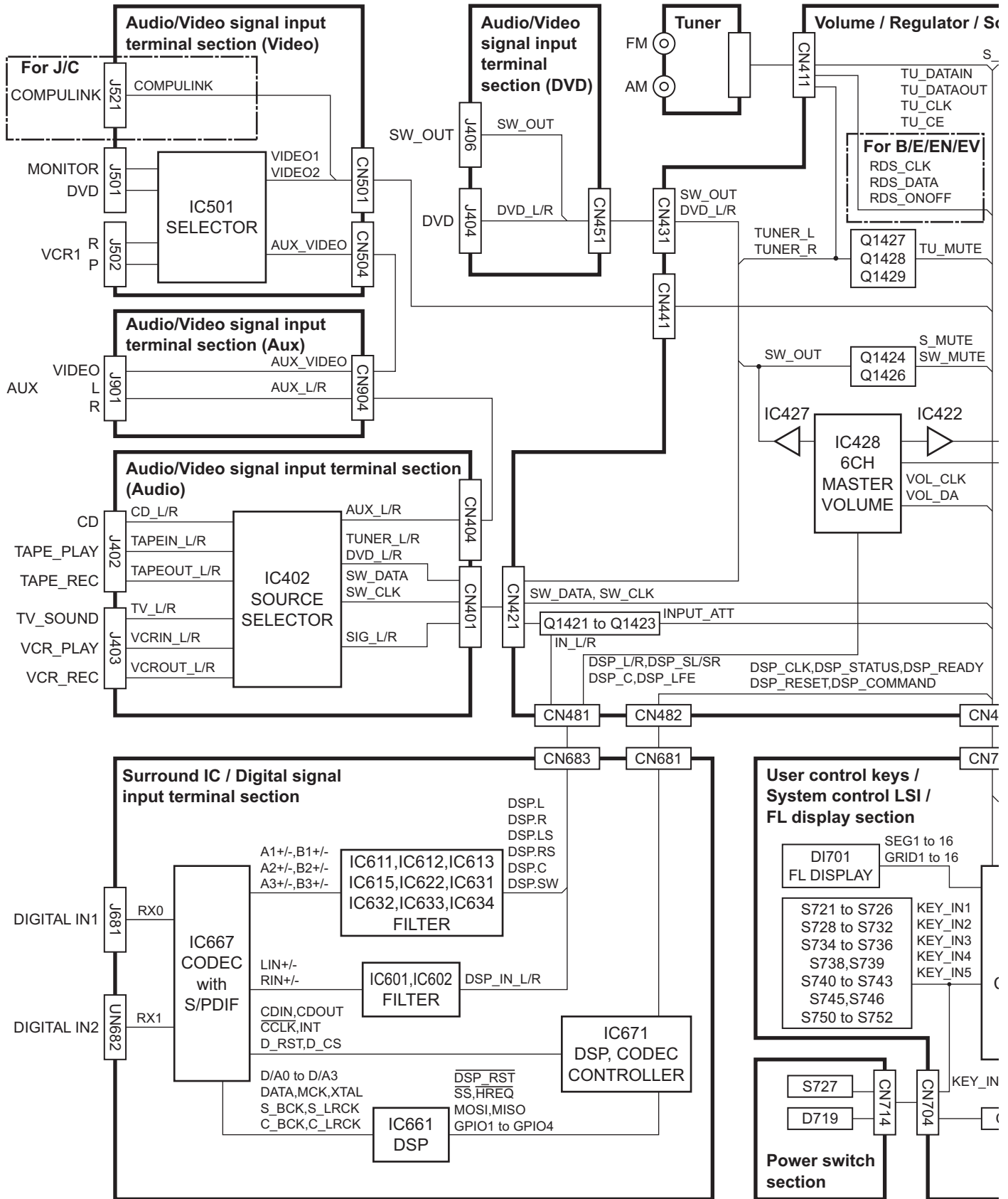
Contents

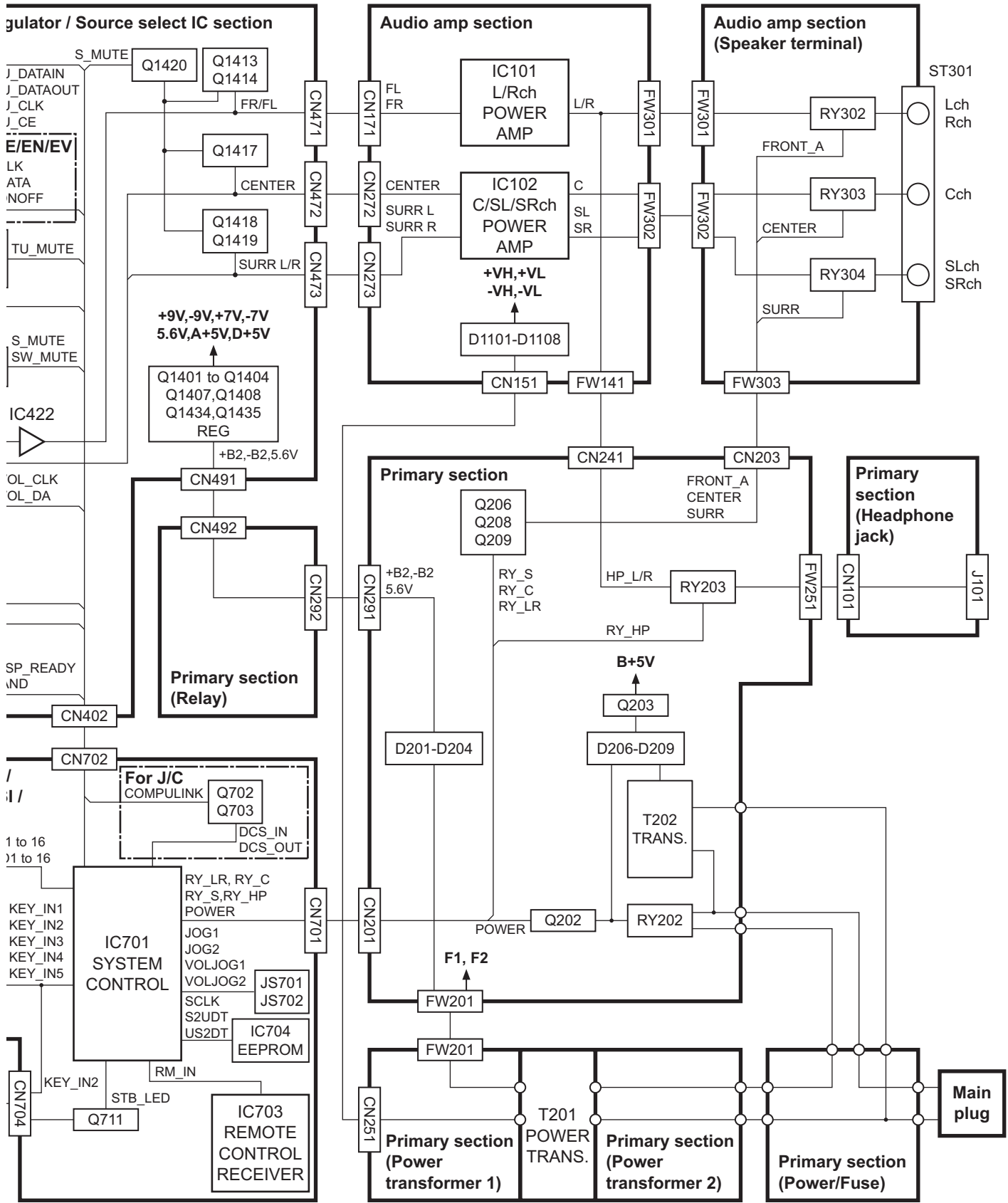
| | |
|-----------------------------------|------------|
| Block diagrams | 2-1 |
| Standard schematic diagrams | 2-3 |
| Printed circuit boards | 2-15 to 21 |

In regard with component parts appearing on the silk-screen printed side (parts side) of the PWB diagrams, the parts that are printed over with black such as the resistor (■), diode (▣) and ICP (●) or identified by the "▲" mark nearby are critical for safety.

< MEMO >

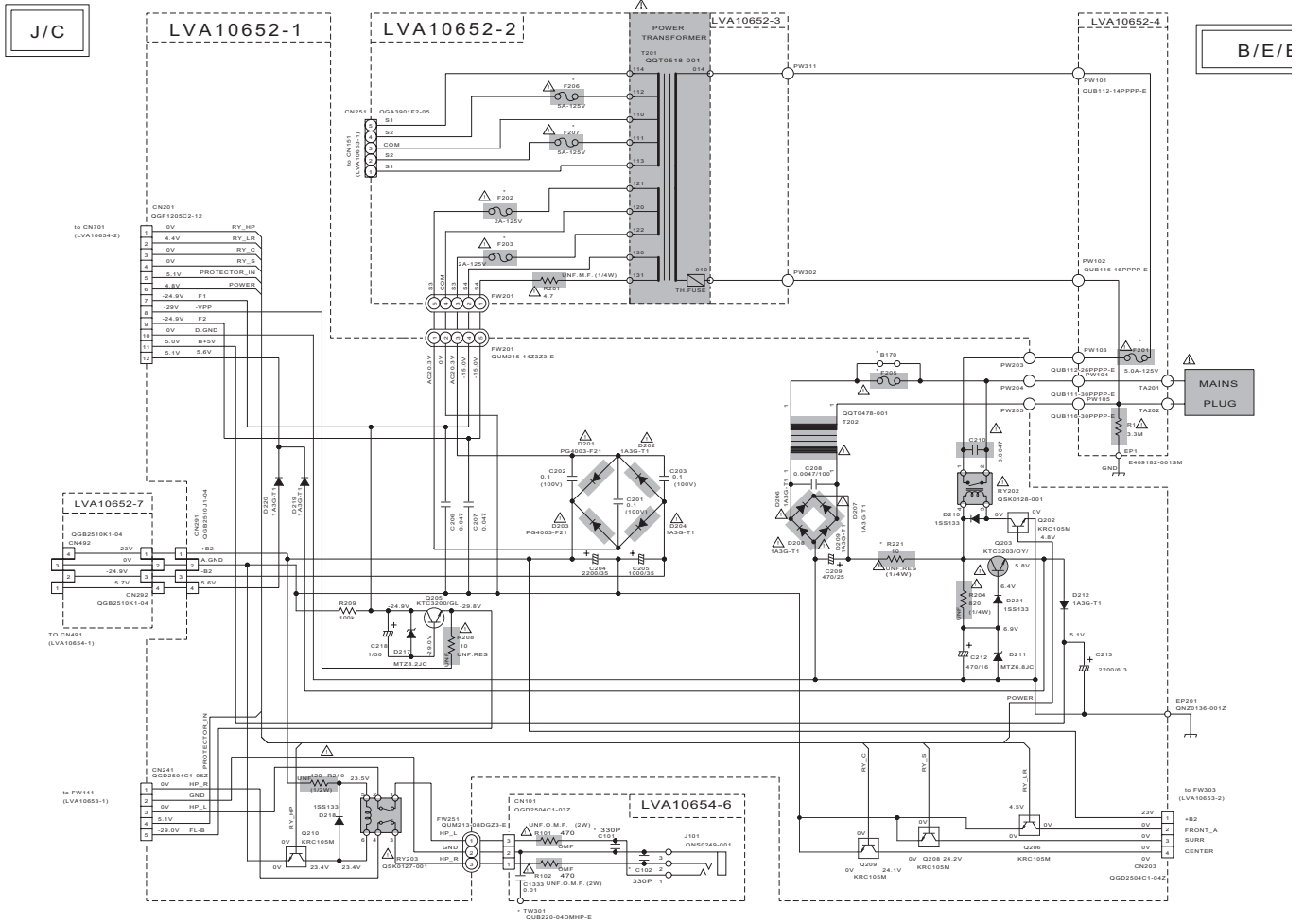
Block diagram





Standard schematic diagrams

Primary section

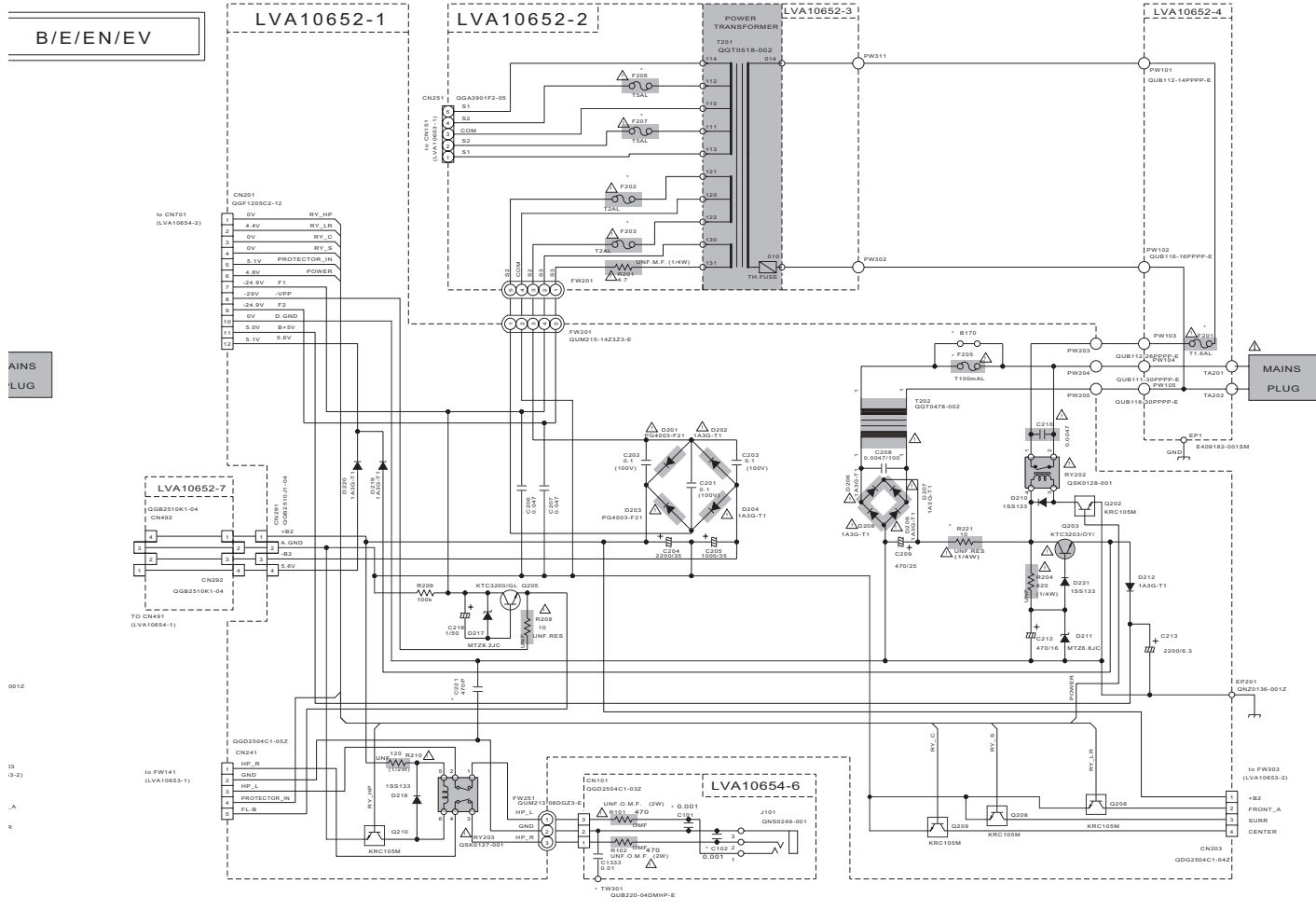


| | J/C | B/E/EN/EP | US/UT/UN |
|-----------|-----------------------------|--------------------------------|---------------------------------|
| F201 | OMF51U1-2R0-J8 (5A-125V) | OMF51W2-1R0-J8 (1.6A-250V) | OMF51W2-3R15-J8 (3.15A-250V) |
| F202-F205 | OMF51U1-2R0-J8 (5A-125V) | OMF51W2-2R0-J8 (5A-250V) | OMF51W2-2R0-J8 (5A-250V) |
| F204 | NONE | NONE | OMF51W2-2R0-J8 (5A-250V) |
| F205 | NONE | OMF51E2-R10-J1 (100mA-250V) | OMF51E2-R10-J1 (100mA-250V) |
| B170 | USE | NONE | NONE |
| F206-F207 | OMF51U1-2R0-J8 (5A-125V) | OMF51W2-2R0-J8 (5A-250V) | OMF51W2-2R0-J8 (5A-250V) |
| V9201 | NONE | NONE | USE |

| | J/C | B/E/EN/EP | US/UT/UN | UP |
|------------------------|-------------|-------------|-------------|-------------|
| R1.EP1 | USE | NONE | NONE | NONE |
| R211,R212 D322,D323 | NONE | NONE | NONE | USE |
| R221 | USE | USE | NONE | NONE |
| R223 | NONE | NONE | USE | USE |
| T202 | QGT0478-001 | QGT0478-002 | QGT0281-006 | QGT0281-006 |
| C209 | 470/25 | 470/25 | 470B3 | 470B3 |
| R201 | 4.7 | 4.7 | 4.7 | 4.7 |
| C101 | 330P | 0.001 | 330P | 330P |
| C102 | 330P | 0.001 | 330P | 330P |
| C211 | NONE | USE | NONE | USE |
| C1333 | USE | USE | NONE | USE |
| TW501 | USE | USE | NONE | USE |

VERSION CODES

J ; U.S.A.
C ; CANADA
B ; U.K.
E ; CONTINENTAL EUROPE
EN ; NORDIC COUNTRIES
EV ; EASTERNEUROPE
US ; SINGAPORE
UT ; TAIWAN
UP ; KOREA
UN ; INDONESIA



B/E/EN/EV

AINS
LUG

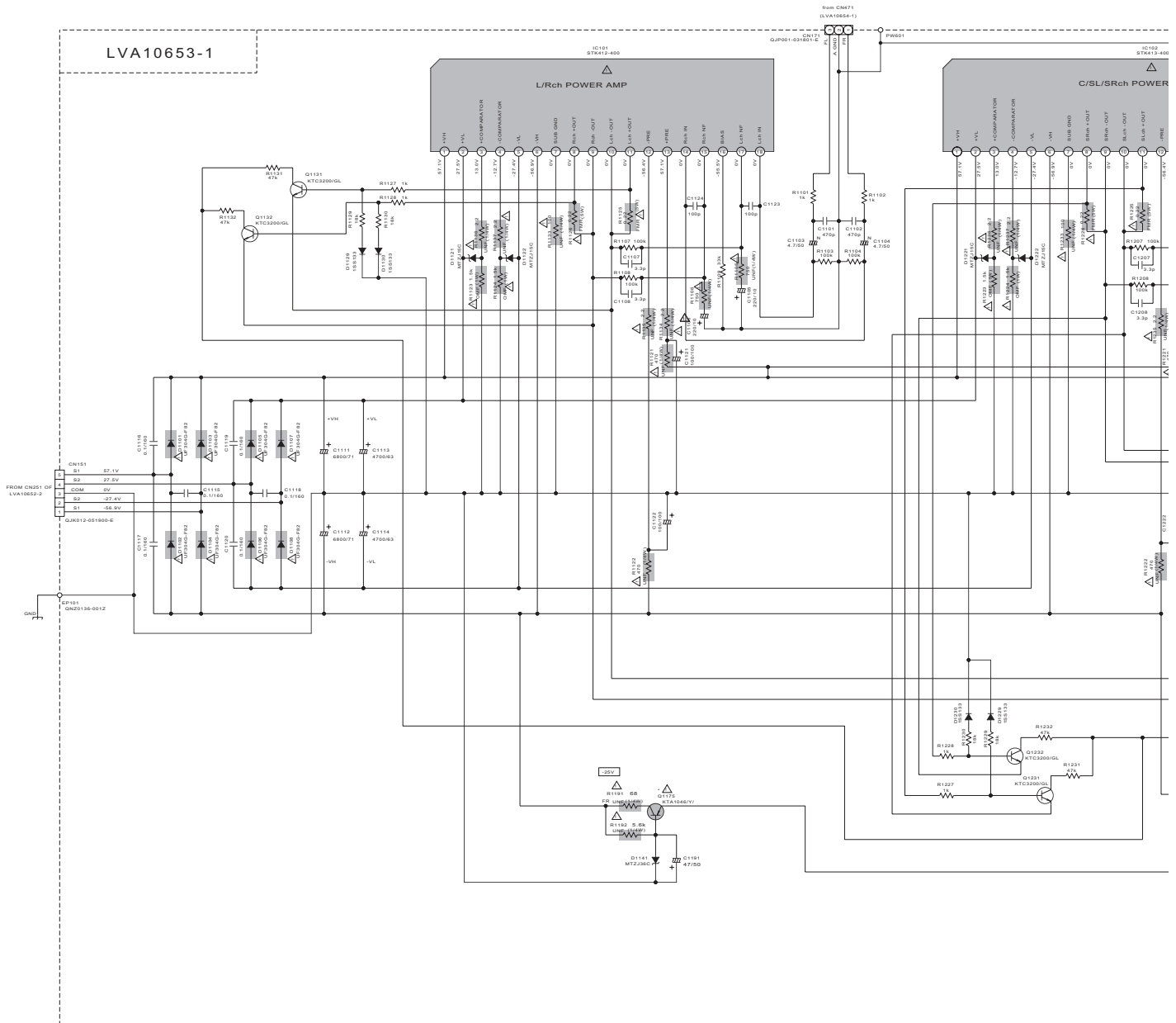
001Z

33
(3-2)
.A
R

ES
- EUROPE
NTRIES
: OPE

Parts are safety assurance parts. When replacing those parts make sure to use the specified one.


Audio amp section

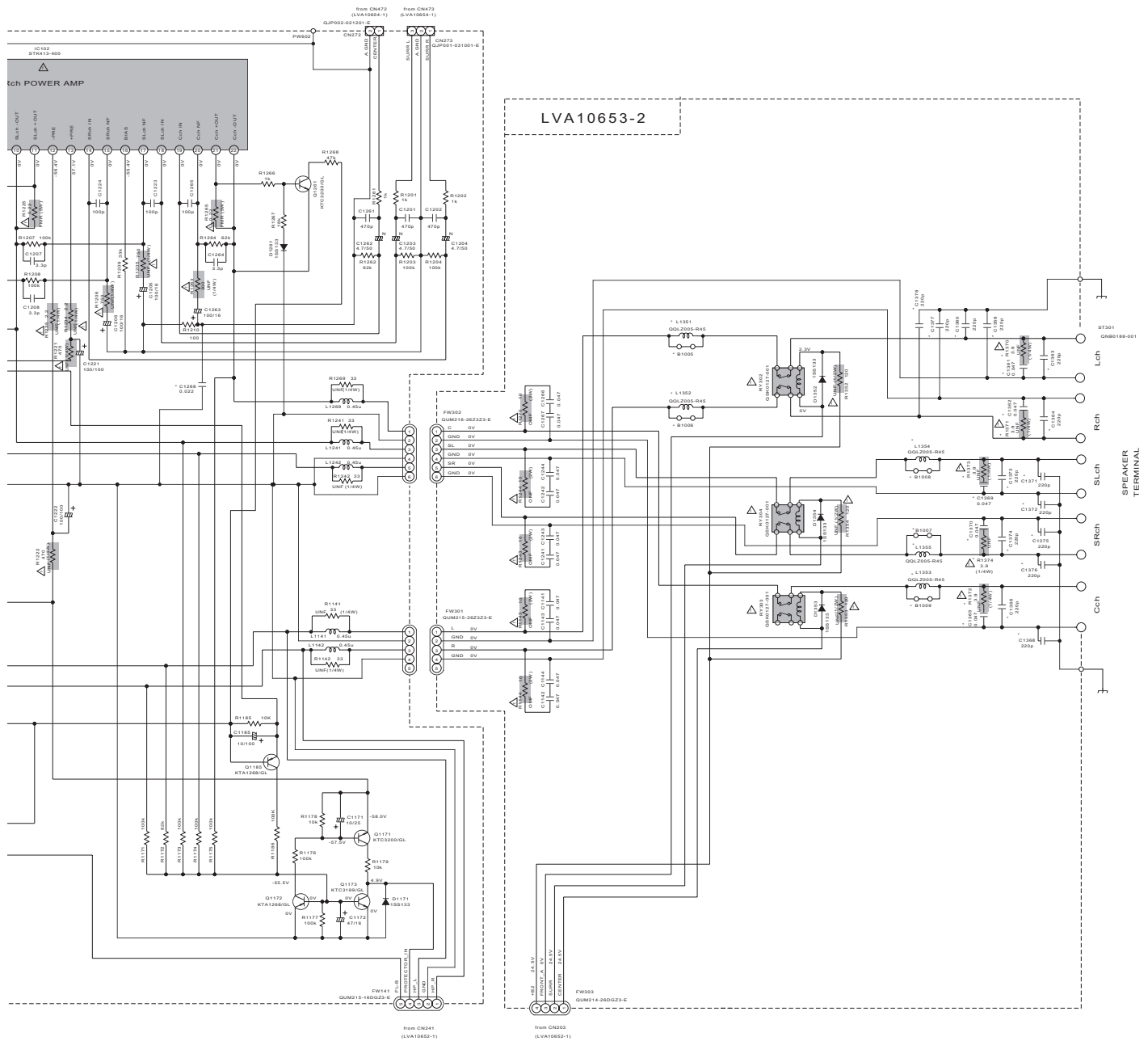


* MARK LIST

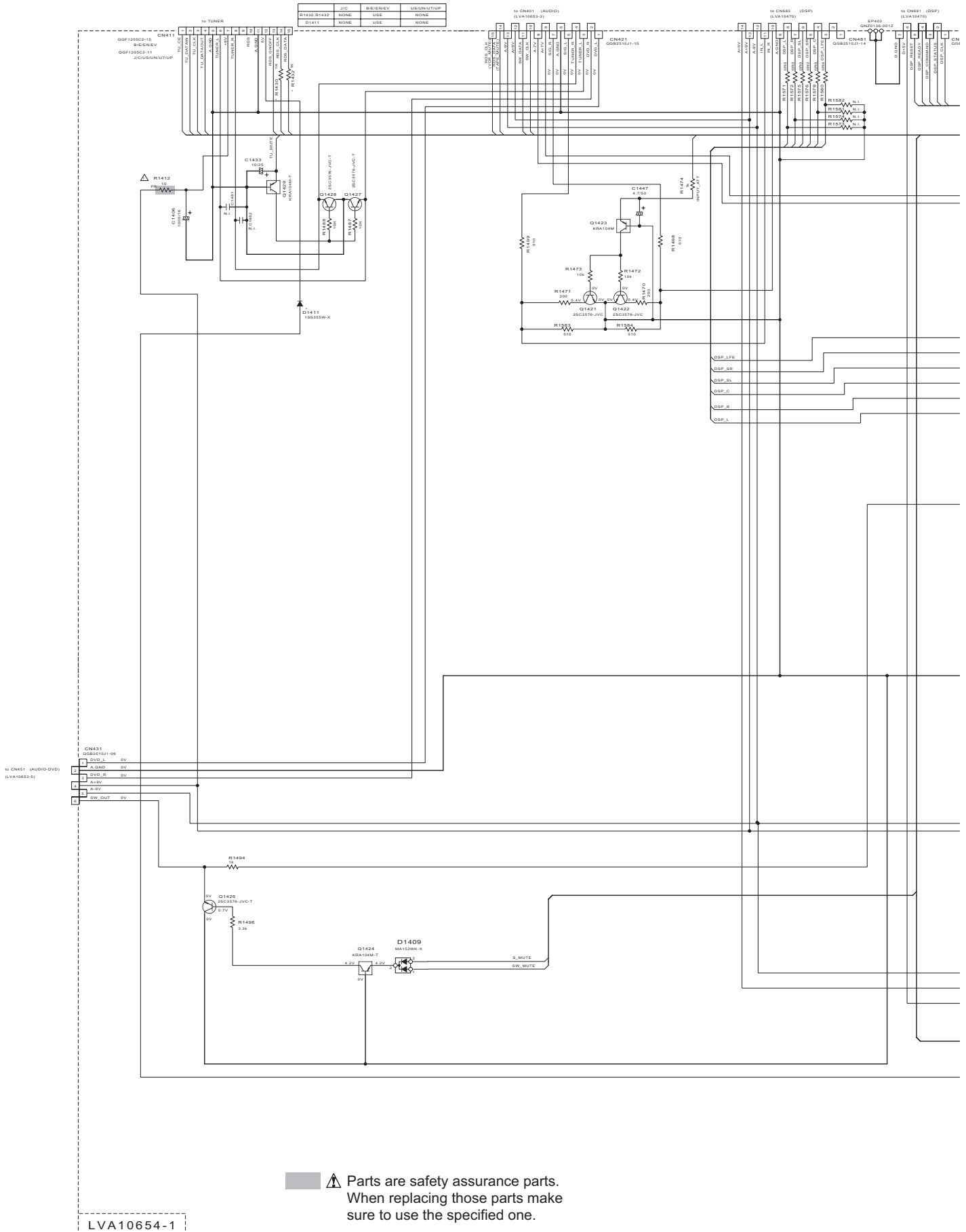
| | J/C | B/E/EN/EV | UT/US/UP/UN |
|--------------|------|-----------|-------------|
| B1005 | USE | NONE | NONE |
| B1006 | USE | NONE | NONE |
| B1007 | USE | NONE | NONE |
| B1008 | USE | NONE | NONE |
| B1009 | USE | NONE | NONE |
| L1351 | NONE | USE | USE |
| L1352 | NONE | USE | USE |
| L1353 | NONE | USE | USE |
| L1354 | NONE | USE | USE |
| L1355 | NONE | USE | USE |
| R1370, R1371 | NONE | USE | USE |
| C1361, C1362 | NONE | USE | USE |
| C1363, C1364 | NONE | USE | USE |
| C1369, C1377 | NONE | USE | USE |
| C1360, C1378 | NONE | USE | USE |
| R1373, R1374 | NONE | USE | USE |
| C1369, C1370 | NONE | USE | USE |
| C1373, C1374 | NONE | USE | USE |
| C1372, C1375 | NONE | USE | USE |
| C1371, C1376 | NONE | USE | USE |
| R1372 | NONE | USE | USE |
| C1365 | NONE | USE | USE |
| C1366 | NONE | USE | USE |
| C1367 | NONE | NONE | NONE |
| C1368 | NONE | USE | USE |

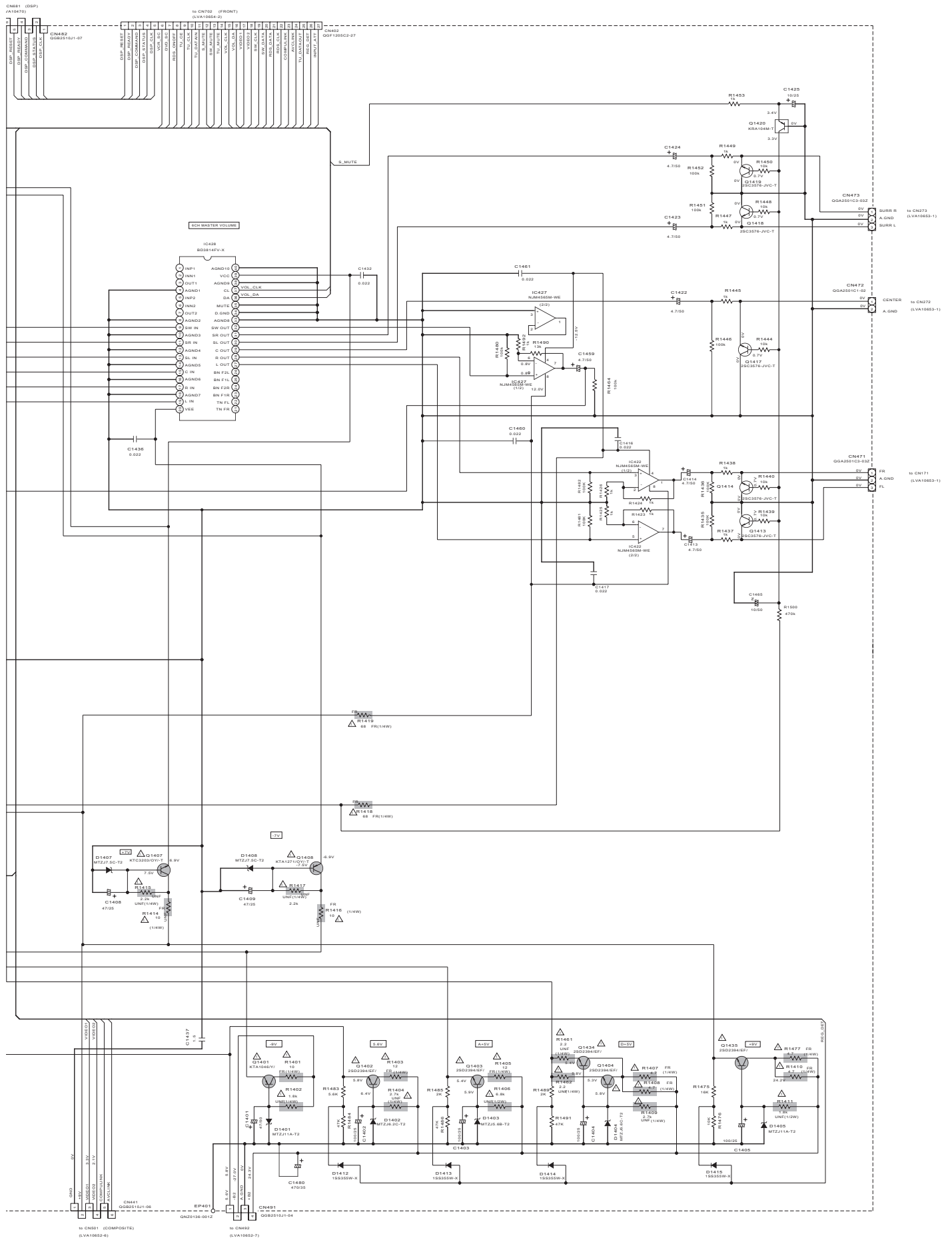
| | J/C | R/E/EN/EV | UP | US/UN/UT |
|-------|------|-----------|-----|----------|
| C1268 | NONE | USE | USE | NONE |

 Parts are safety assurance parts. When replacing those parts make sure to use the specified one.

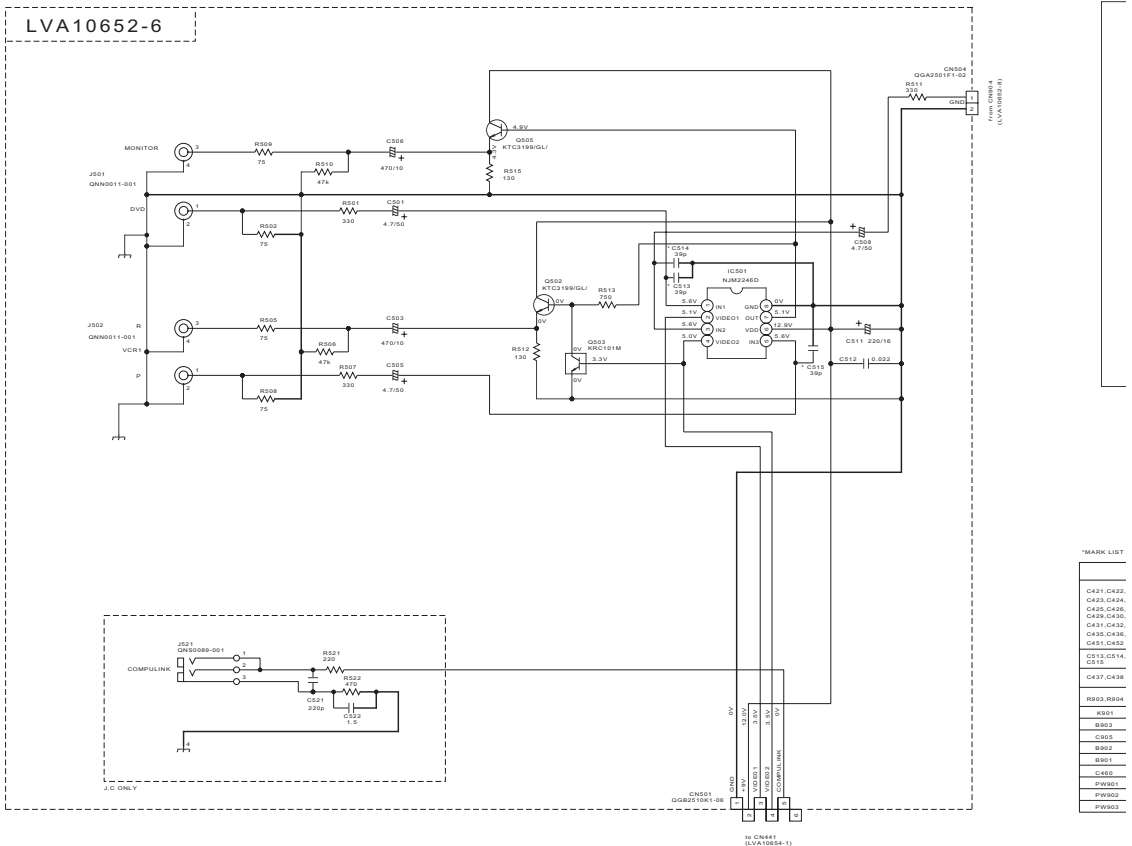
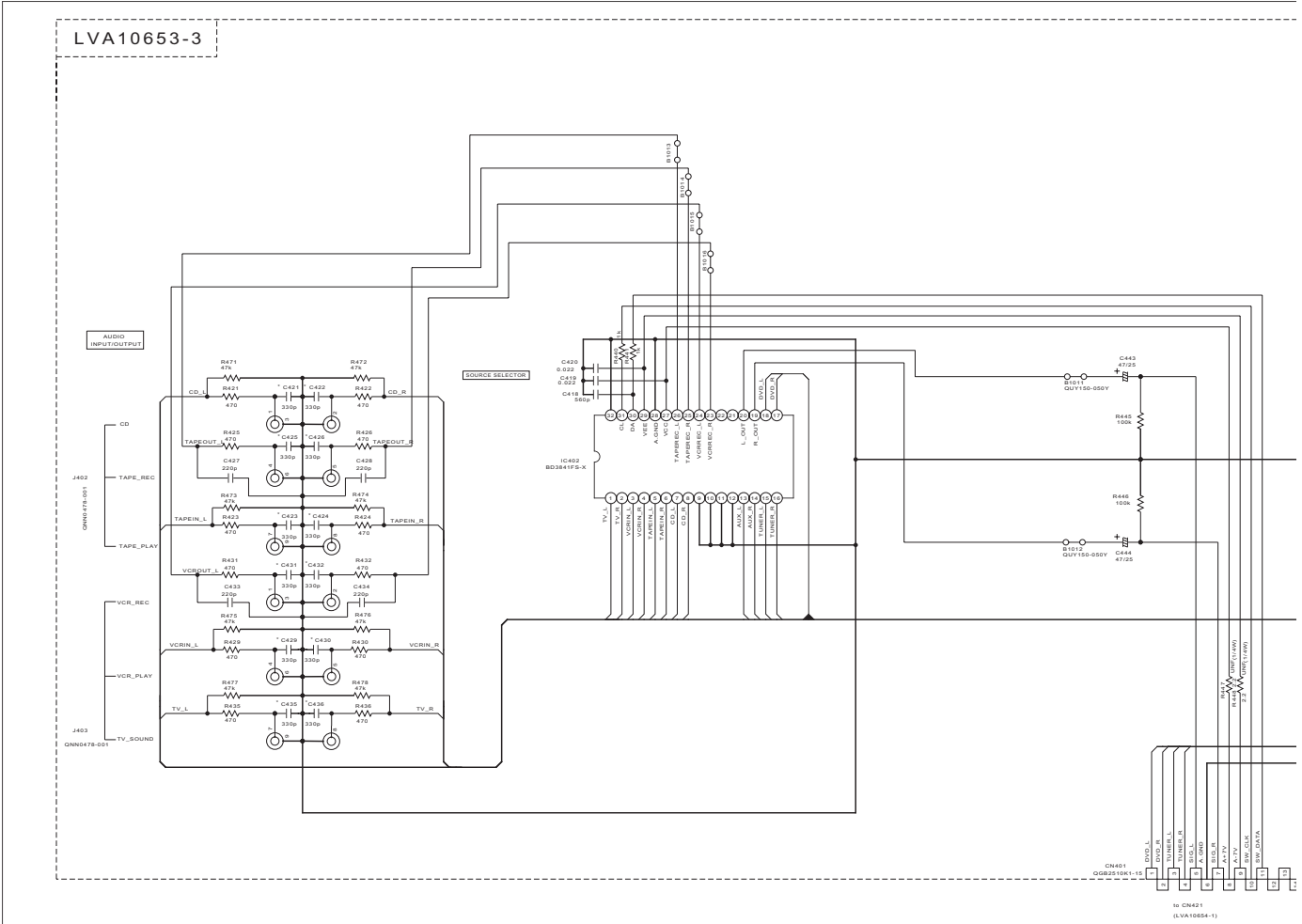


Volume / Regulator / Source selector section



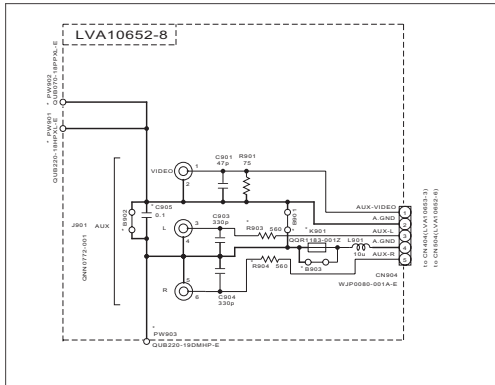
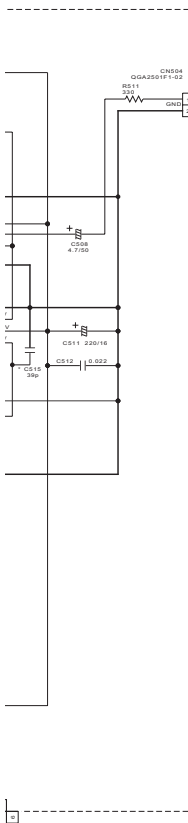
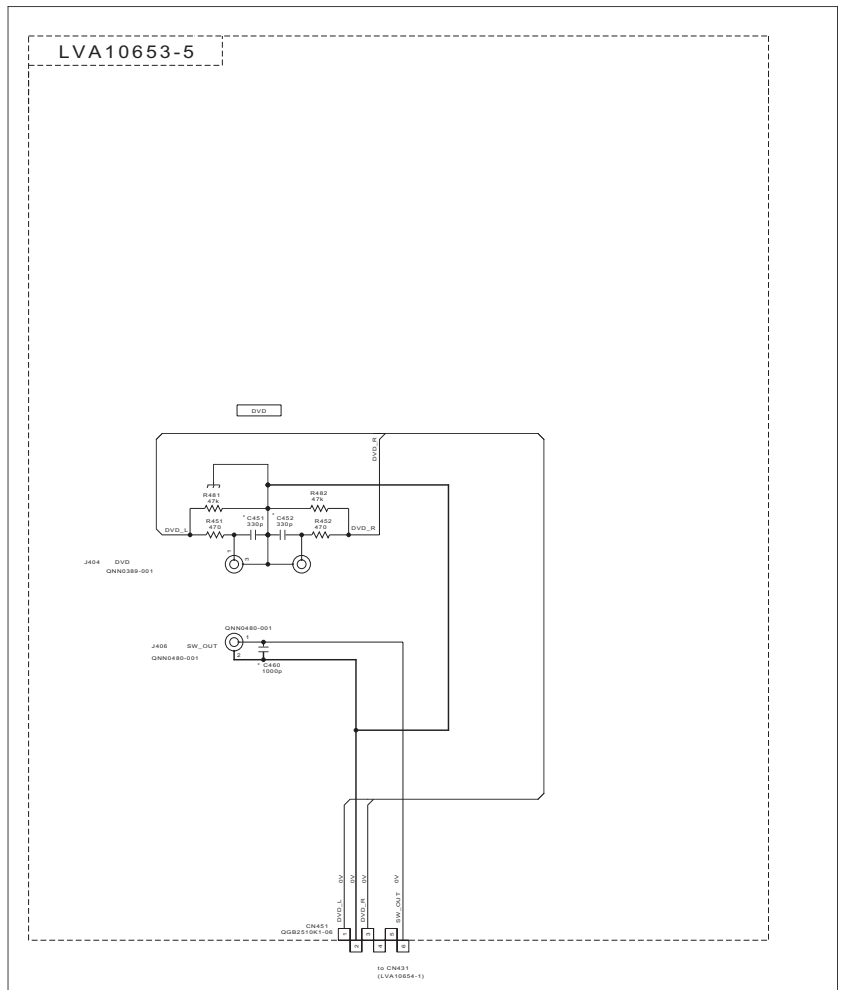
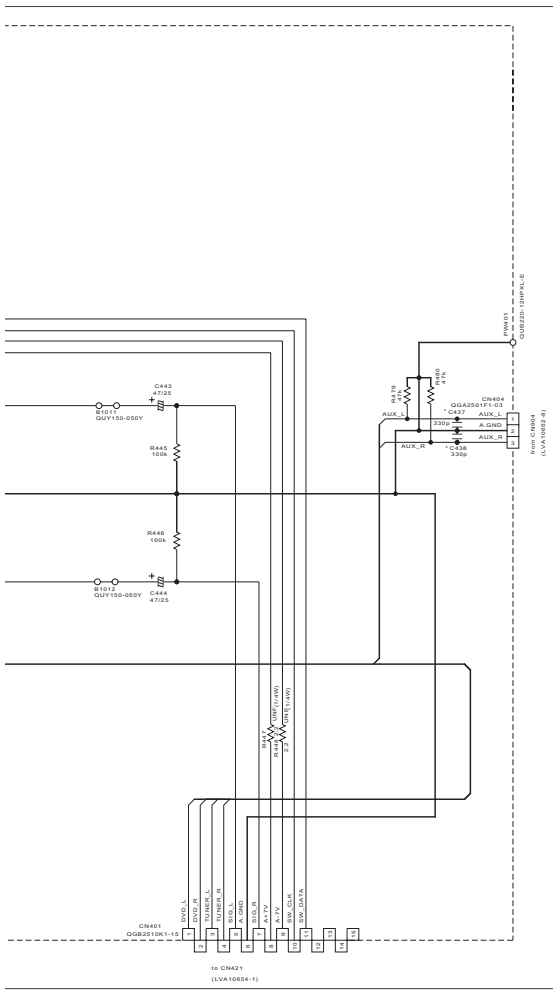


Audio, Video signal control / Source selector section



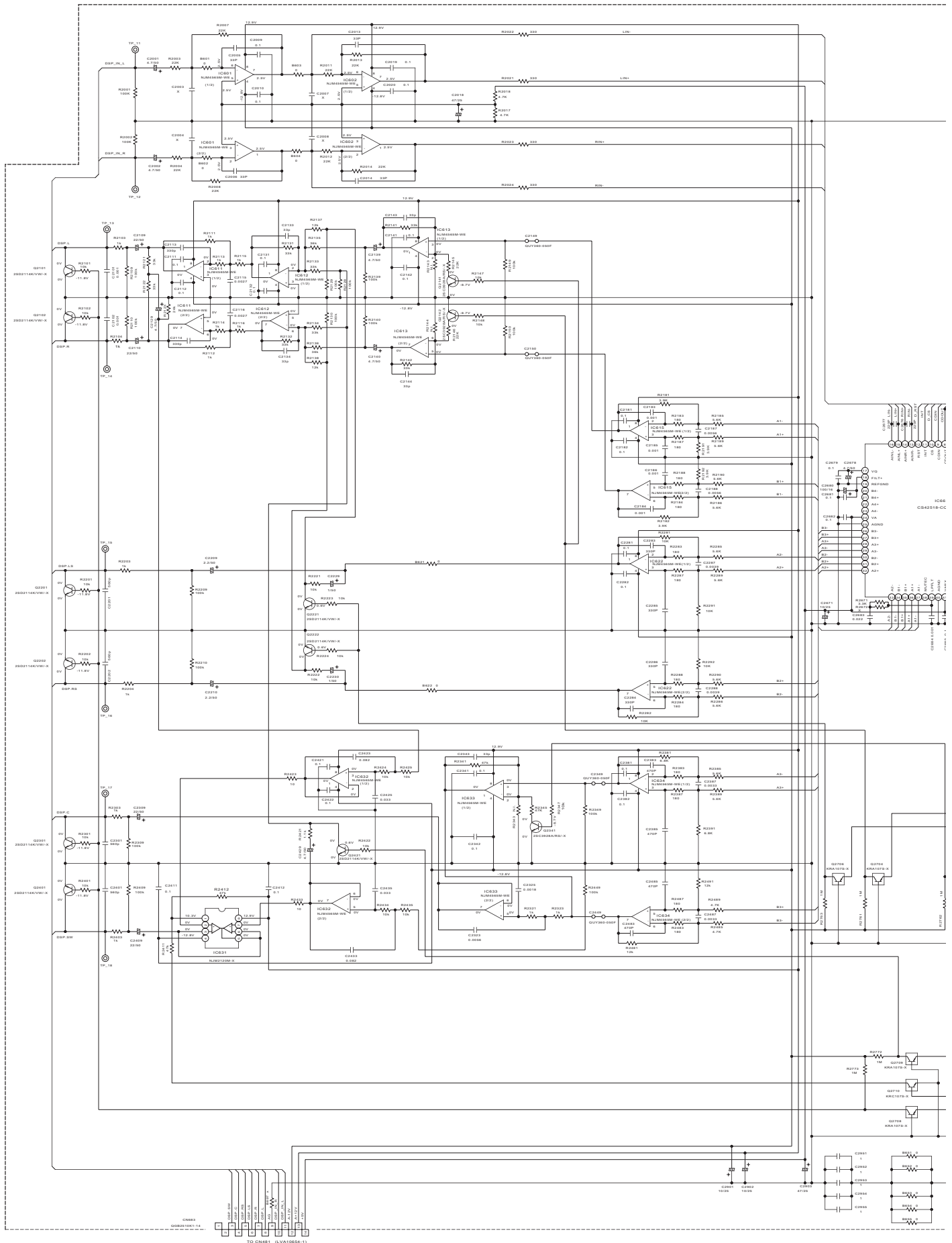
MARK LIST

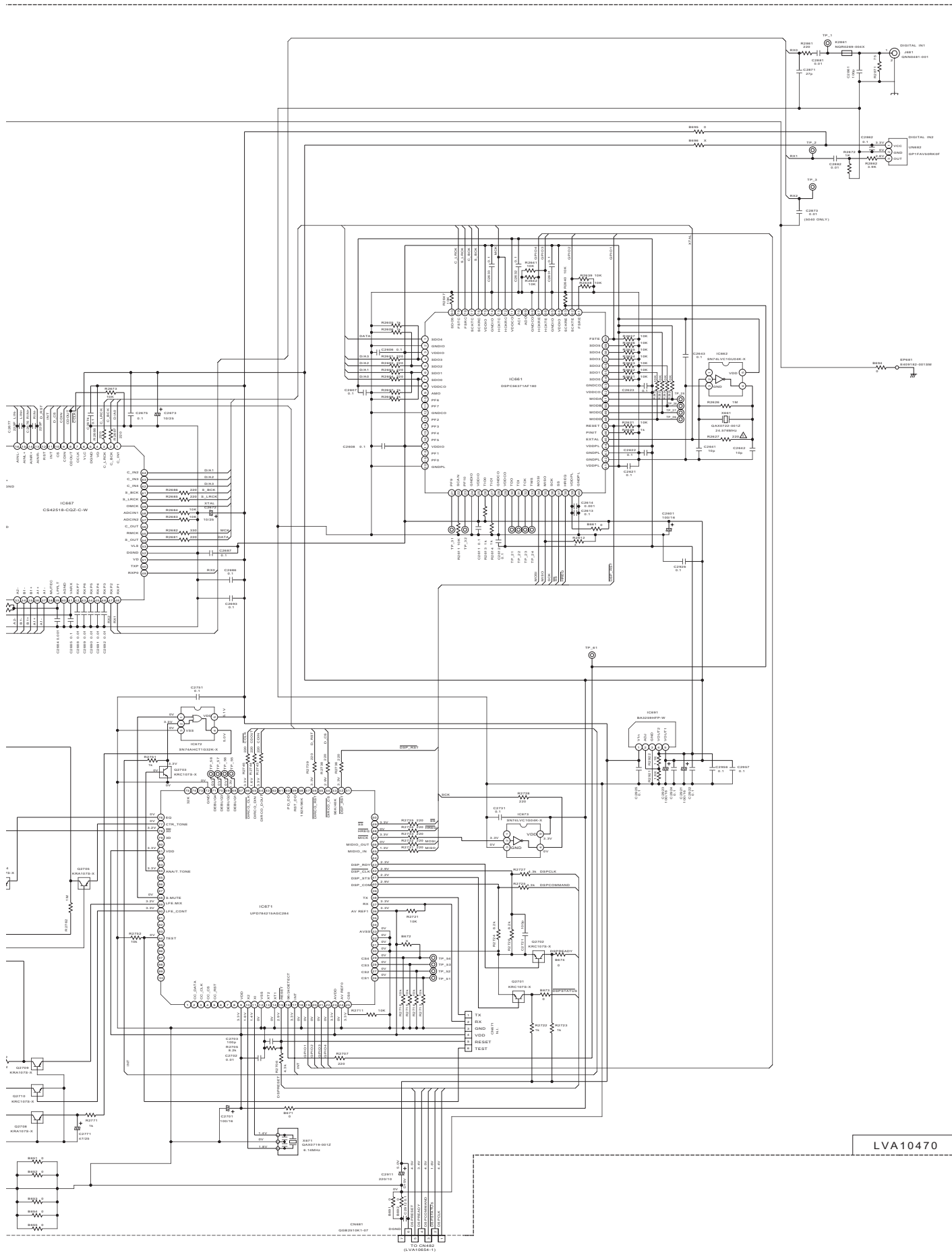
| |
|--------------|
| C421, C422, |
| C423, C424, |
| C425, C426, |
| C427, C428, |
| C431, C432, |
| C433, C434, |
| C435, C436, |
| C437, C438, |
| C439, C440, |
| C441, C442, |
| C443, C444, |
| C445, C446, |
| C447, C448, |
| C449, C450, |
| C451, C452, |
| C453, C454, |
| C455, C456, |
| C457, C458, |
| C459, C460, |
| C461, C462, |
| C463, C464, |
| C465, C466, |
| C467, C468, |
| C469, C470, |
| C471, C472, |
| C473, C474, |
| C475, C476, |
| C477, C478, |
| C479, C480, |
| C481, C482, |
| C483, C484, |
| C485, C486, |
| C487, C488, |
| C489, C490, |
| C491, C492, |
| C493, C494, |
| C495, C496, |
| C497, C498, |
| C499, C500, |
| C501, C502, |
| C503, C504, |
| C505, C506, |
| C507, C508, |
| C509, C510, |
| C511, C512, |
| C513, C514, |
| C515, C516, |
| C517, C518, |
| C519, C520, |
| C521, C522, |
| C523, C524, |
| C525, C526, |
| C527, C528, |
| C529, C530, |
| C531, C532, |
| C533, C534, |
| C535, C536, |
| C537, C538, |
| C539, C540, |
| C541, C542, |
| C543, C544, |
| C545, C546, |
| C547, C548, |
| C549, C550, |
| C551, C552, |
| C553, C554, |
| C555, C556, |
| C557, C558, |
| C559, C560, |
| C561, C562, |
| C563, C564, |
| C565, C566, |
| C567, C568, |
| C569, C570, |
| C571, C572, |
| C573, C574, |
| C575, C576, |
| C577, C578, |
| C579, C580, |
| C581, C582, |
| C583, C584, |
| C585, C586, |
| C587, C588, |
| C589, C590, |
| C591, C592, |
| C593, C594, |
| C595, C596, |
| C597, C598, |
| C599, C600, |
| C601, C602, |
| C603, C604, |
| C605, C606, |
| C607, C608, |
| C609, C610, |
| C611, C612, |
| C613, C614, |
| C615, C616, |
| C617, C618, |
| C619, C620, |
| C621, C622, |
| C623, C624, |
| C625, C626, |
| C627, C628, |
| C629, C630, |
| C631, C632, |
| C633, C634, |
| C635, C636, |
| C637, C638, |
| C639, C640, |
| C641, C642, |
| C643, C644, |
| C645, C646, |
| C647, C648, |
| C649, C650, |
| C651, C652, |
| C653, C654, |
| C655, C656, |
| C657, C658, |
| C659, C660, |
| C661, C662, |
| C663, C664, |
| C665, C666, |
| C667, C668, |
| C669, C670, |
| C671, C672, |
| C673, C674, |
| C675, C676, |
| C677, C678, |
| C679, C680, |
| C681, C682, |
| C683, C684, |
| C685, C686, |
| C687, C688, |
| C689, C690, |
| C691, C692, |
| C693, C694, |
| C695, C696, |
| C697, C698, |
| C699, C700, |
| C701, C702, |
| C703, C704, |
| C705, C706, |
| C707, C708, |
| C709, C710, |
| C711, C712, |
| C713, C714, |
| C715, C716, |
| C717, C718, |
| C719, C720, |
| C721, C722, |
| C723, C724, |
| C725, C726, |
| C727, C728, |
| C729, C730, |
| C731, C732, |
| C733, C734, |
| C735, C736, |
| C737, C738, |
| C739, C740, |
| C741, C742, |
| C743, C744, |
| C745, C746, |
| C747, C748, |
| C749, C750, |
| C751, C752, |
| C753, C754, |
| C755, C756, |
| C757, C758, |
| C759, C760, |
| C761, C762, |
| C763, C764, |
| C765, C766, |
| C767, C768, |
| C769, C770, |
| C771, C772, |
| C773, C774, |
| C775, C776, |
| C777, C778, |
| C779, C780, |
| C781, C782, |
| C783, C784, |
| C785, C786, |
| C787, C788, |
| C789, C790, |
| C791, C792, |
| C793, C794, |
| C795, C796, |
| C797, C798, |
| C799, C800, |
| C801, C802, |
| C803, C804, |
| C805, C806, |
| C807, C808, |
| C809, C810, |
| C811, C812, |
| C813, C814, |
| C815, C816, |
| C817, C818, |
| C819, C820, |
| C821, C822, |
| C823, C824, |
| C825, C826, |
| C827, C828, |
| C829, C830, |
| C831, C832, |
| C833, C834, |
| C835, C836, |
| C837, C838, |
| C839, C840, |
| C841, C842, |
| C843, C844, |
| C845, C846, |
| C847, C848, |
| C849, C850, |
| C851, C852, |
| C853, C854, |
| C855, C856, |
| C857, C858, |
| C859, C860, |
| C861, C862, |
| C863, C864, |
| C865, C866, |
| C867, C868, |
| C869, C870, |
| C871, C872, |
| C873, C874, |
| C875, C876, |
| C877, C878, |
| C879, C880, |
| C881, C882, |
| C883, C884, |
| C885, C886, |
| C887, C888, |
| C889, C890, |
| C891, C892, |
| C893, C894, |
| C895, C896, |
| C897, C898, |
| C899, C900, |
| C901, C902, |
| C903, C904, |
| C905, C906, |
| C907, C908, |
| C909, C910, |
| C911, C912, |
| C913, C914, |
| C915, C916, |
| C917, C918, |
| C919, C920, |
| C921, C922, |
| C923, C924, |
| C925, C926, |
| C927, C928, |
| C929, C930, |
| C931, C932, |
| C933, C934, |
| C935, C936, |
| C937, C938, |
| C939, C940, |
| C941, C942, |
| C943, C944, |
| C945, C946, |
| C947, C948, |
| C949, C950, |
| C951, C952, |
| C953, C954, |
| C955, C956, |
| C957, C958, |
| C959, C960, |
| C961, C962, |
| C963, C964, |
| C965, C966, |
| C967, C968, |
| C969, C970, |
| C971, C972, |
| C973, C974, |
| C975, C976, |
| C977, C978, |
| C979, C980, |
| C981, C982, |
| C983, C984, |
| C985, C986, |
| C987, C988, |
| C989, C990, |
| C991, C992, |
| C993, C994, |
| C995, C996, |
| C997, C998, |
| C999, C1000, |



| *MARK LIST | JIC | USUTUN | BIENEV | UP |
|--|------|--------|--------|------|
| C431, C432, C433, C434, C435, C436, C437, C438, C439, C440, C441, C442, C443, C444, C445, C446, C447, C448, C449, C450, C451, C452 | NONE | NONE | USE | USE |
| C512, C514, C515 | NONE | NONE | USE | USE |
| C437, C438 | USE | NONE | USE | USE |
| R803, R804 | 470 | 470 | 560 | 560 |
| K901 | USE | NONE | NONE | NONE |
| B903 | USE | USE | USE | USE |
| C905 | NONE | NONE | USE | USE |
| B902 | USE | USE | NONE | NONE |
| B901 | USE | USE | NONE | NONE |
| C480 | NONE | NONE | USE | USE |
| PW901 | NONE | NONE | USE | USE |
| PW902 | NONE | USE | NONE | NONE |
| PW903 | USE | NONE | USE | USE |

■ Surround / DSP section



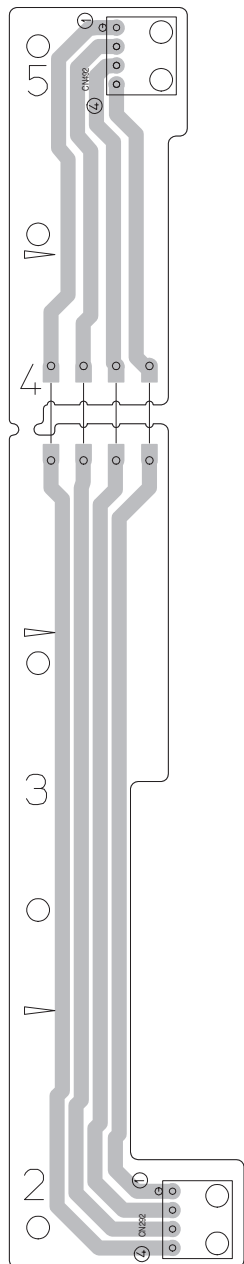


Printed circuit boards

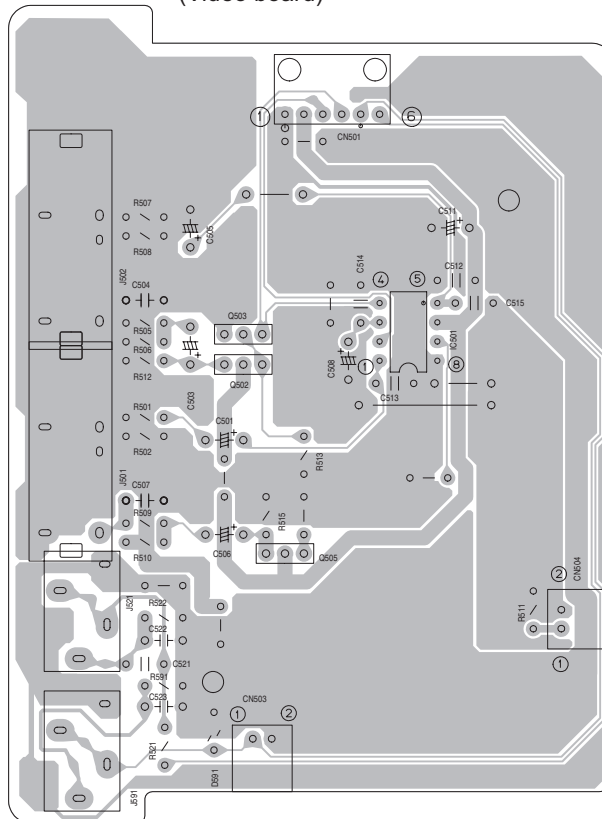
■ Power supply board

Lead free solder used in the board (material : Sn-Ag-Cu, melting point : 219 Centigrade)

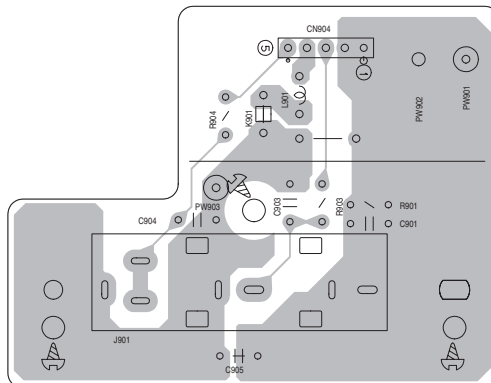
(Relay board)



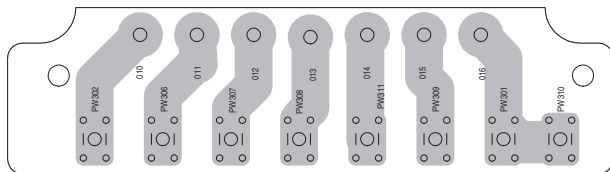
(Video board)



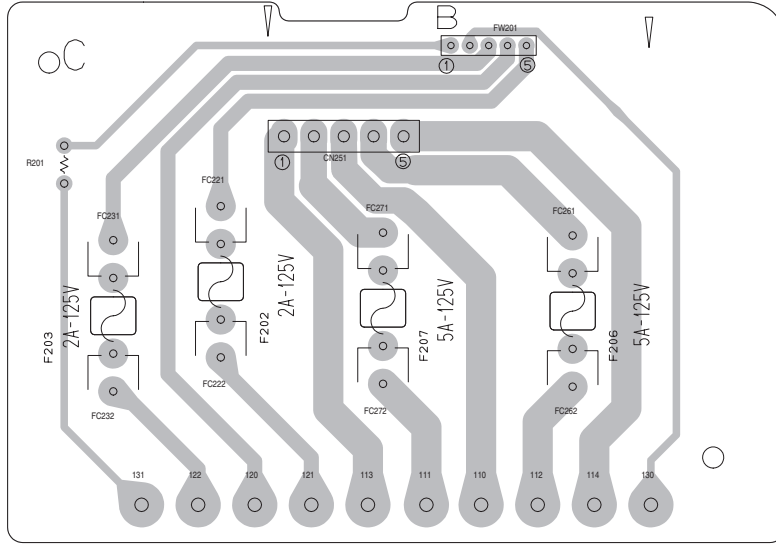
(Front jack board)



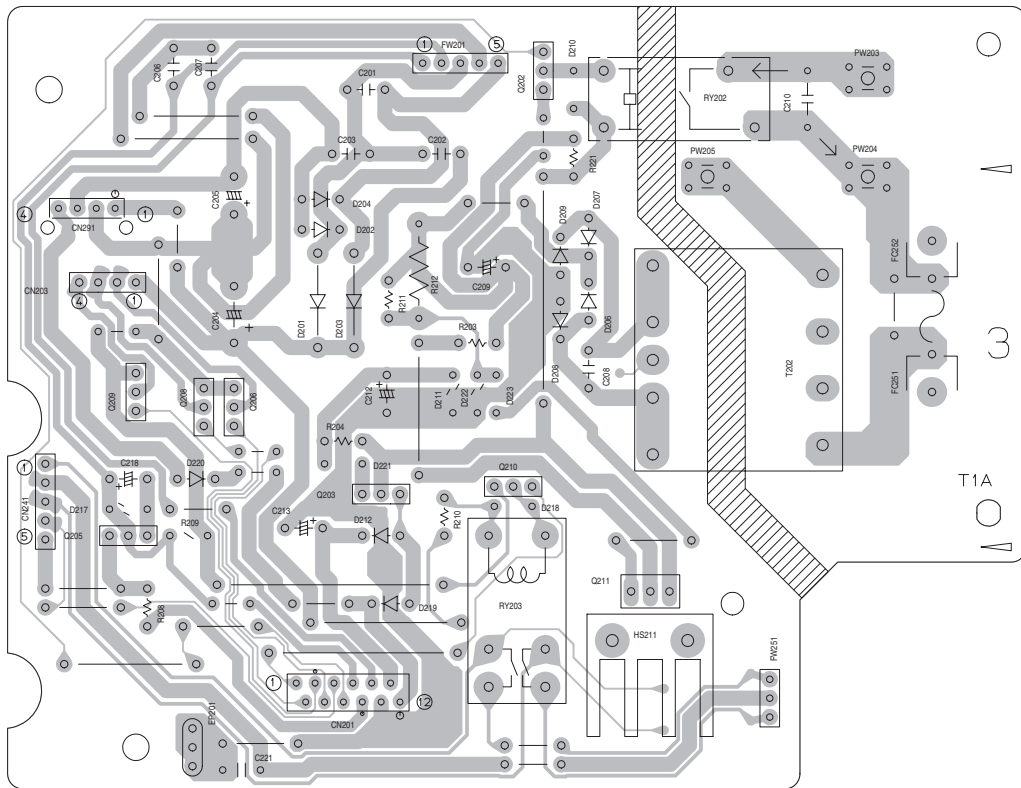
(Power transformer board 2)



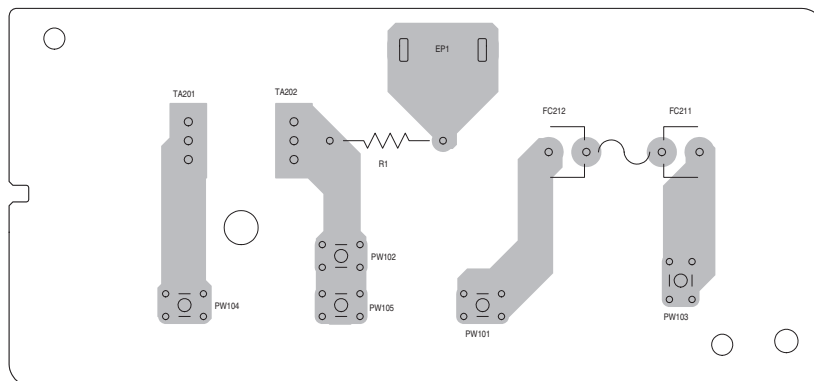
(Power transformer board 1)



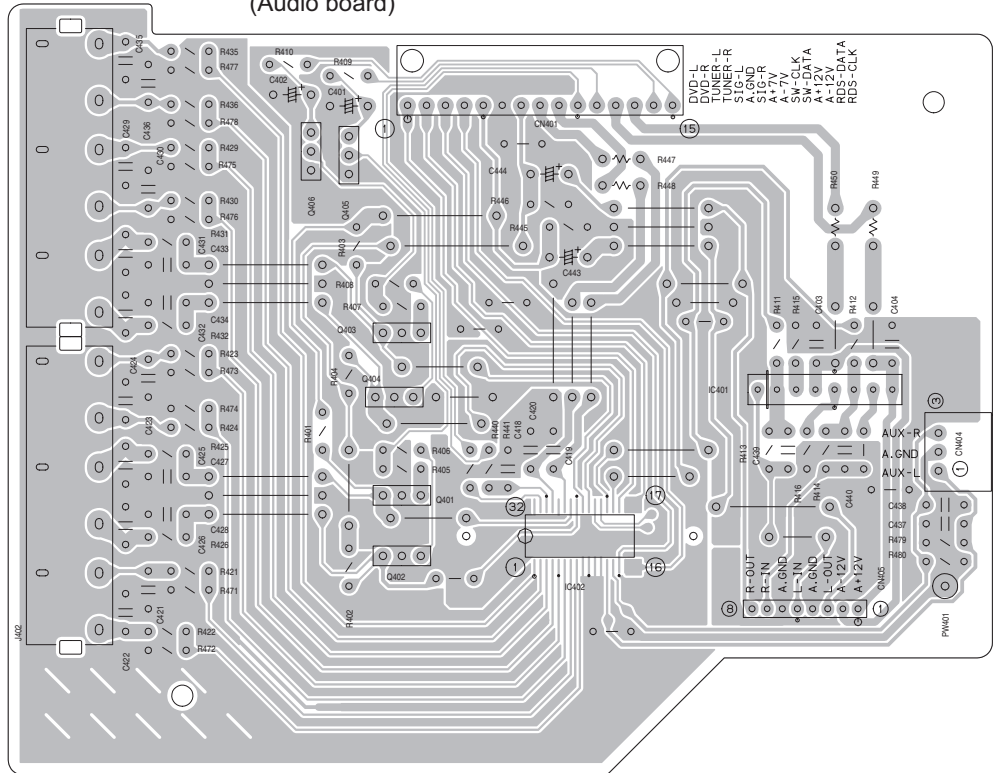
(Main board)



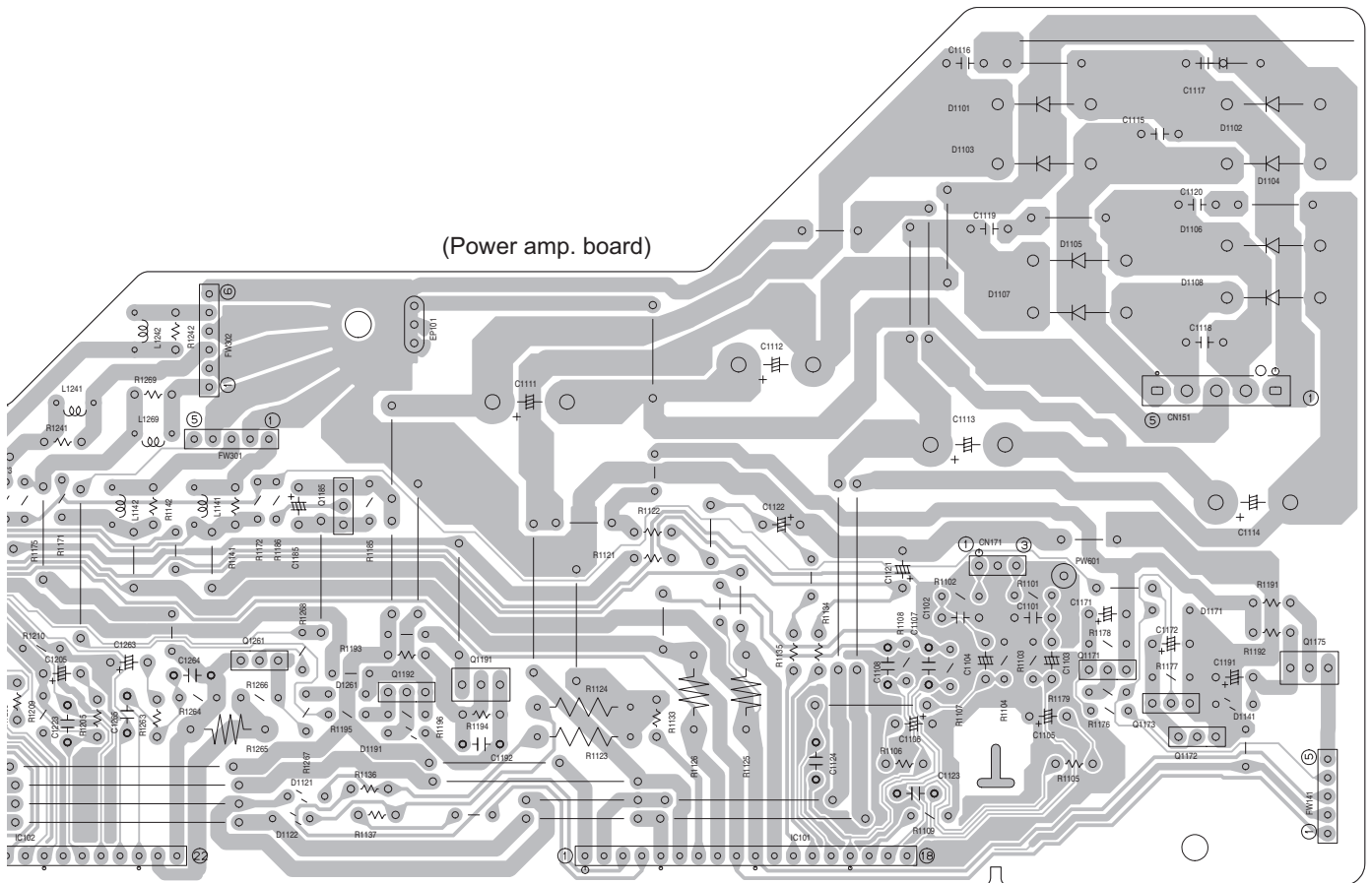
(Power / Fuse board)



(Audio board)



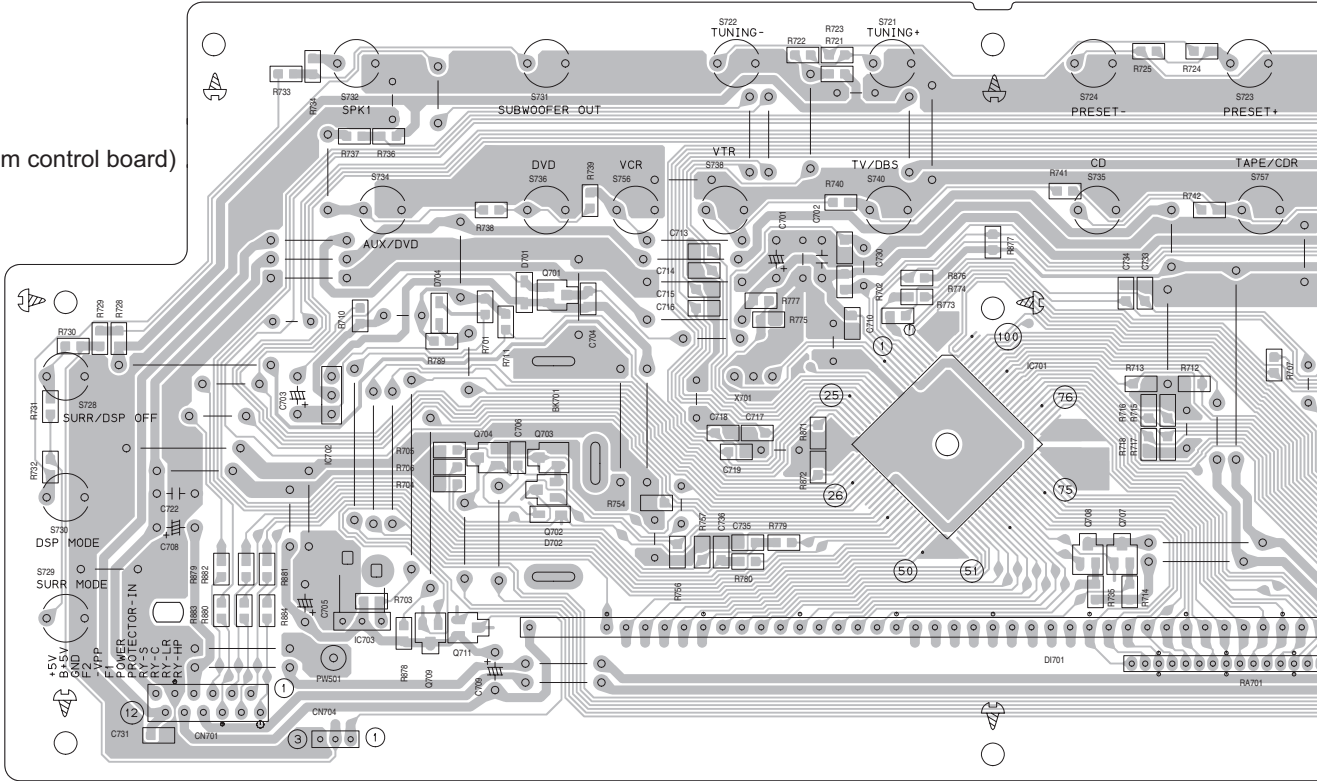
(Power amp. board)



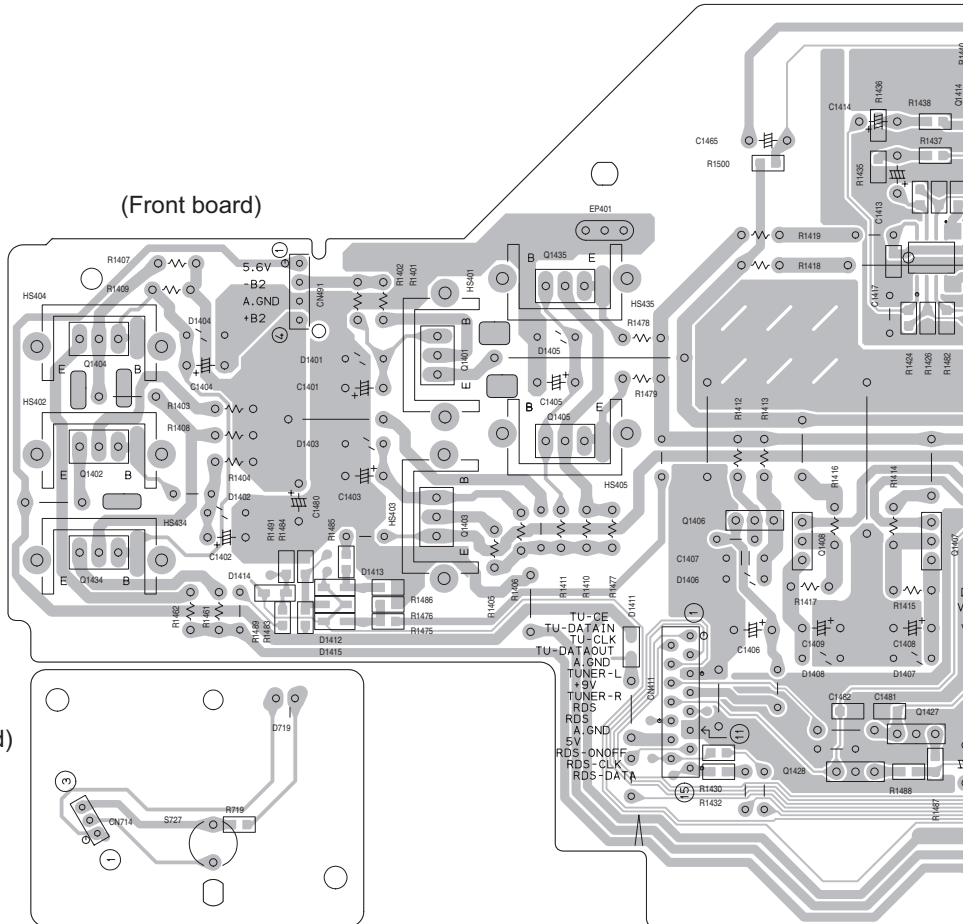
Front board

Lead free solder used in the board (material : Sn-Ag-Cu, melting point : 219 Centigrade)

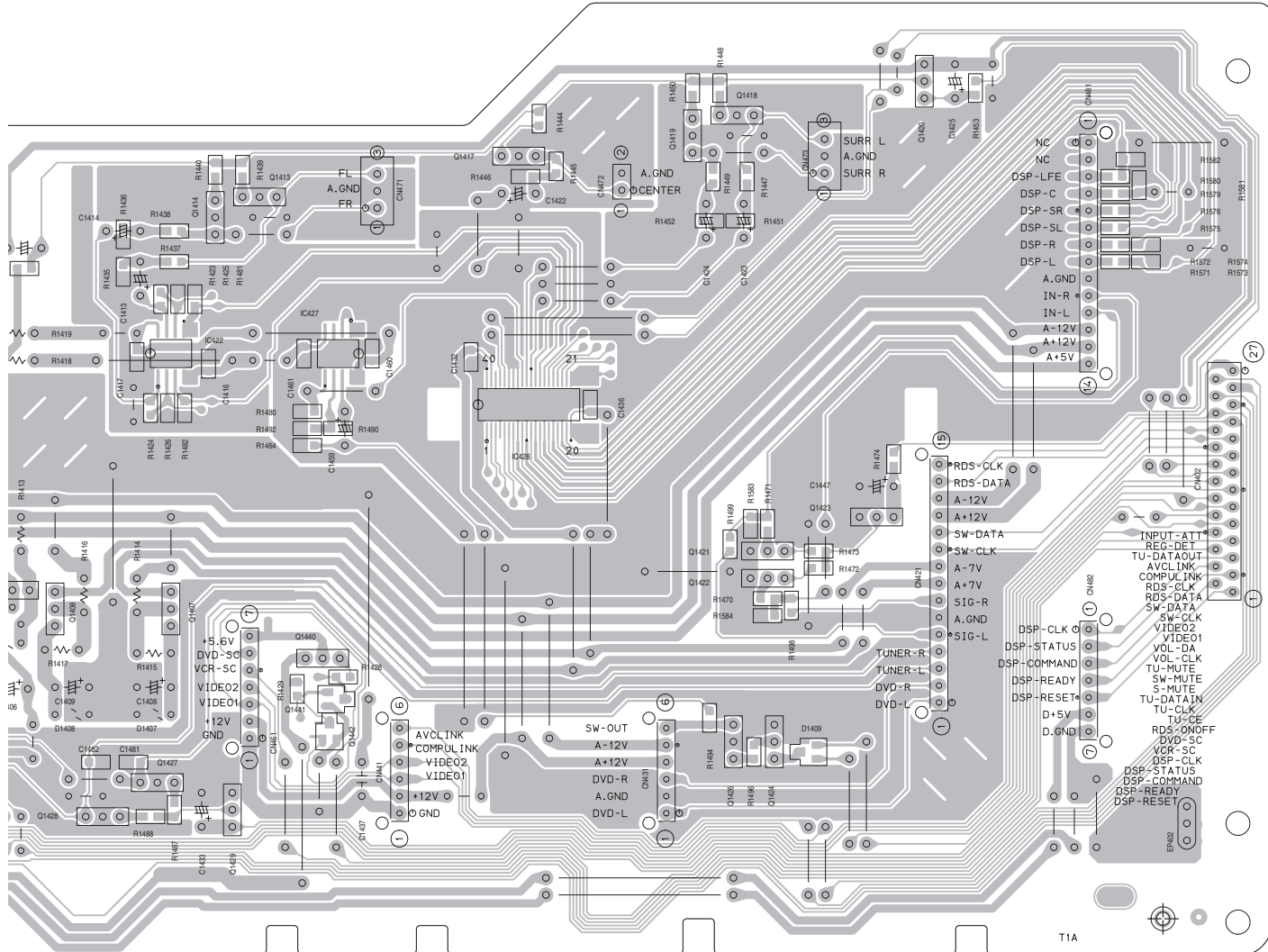
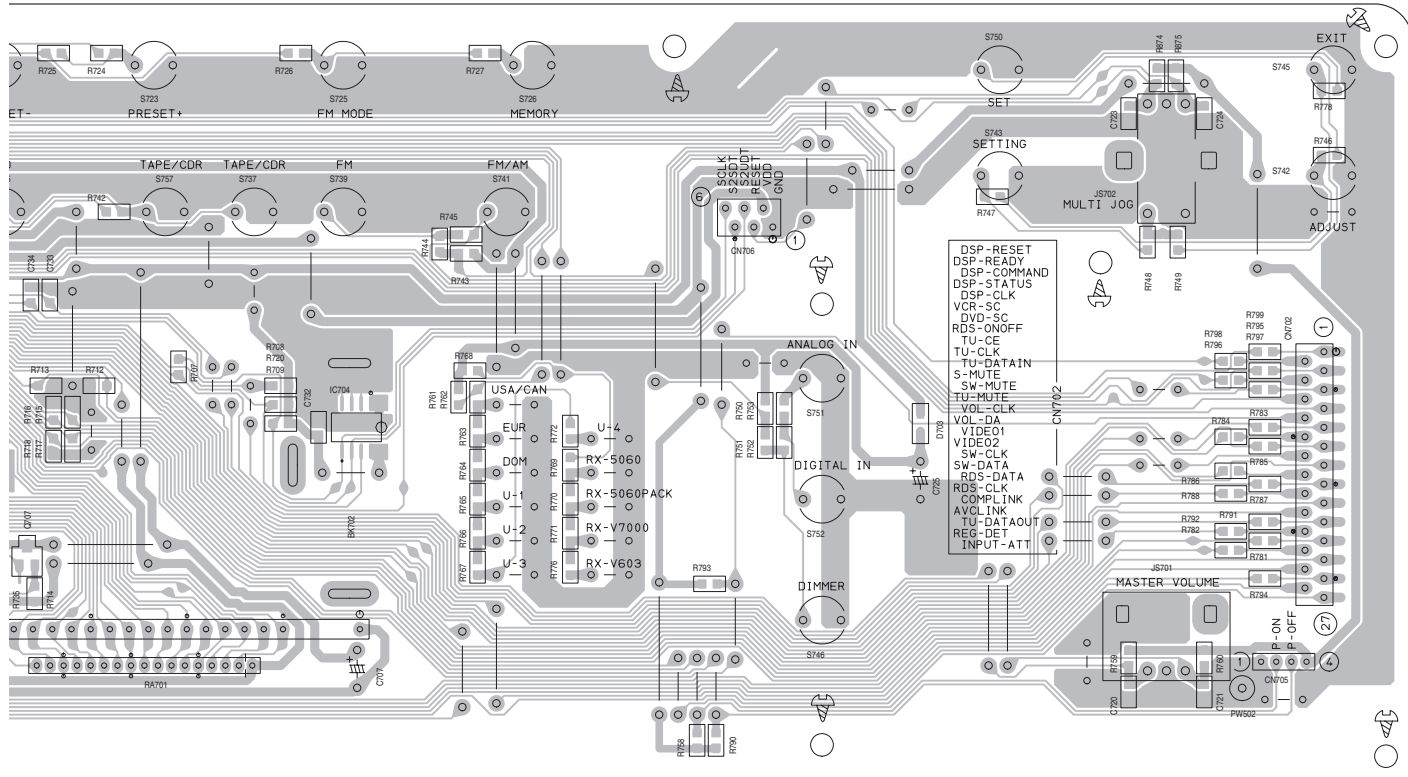
(System control board)



(Front board)



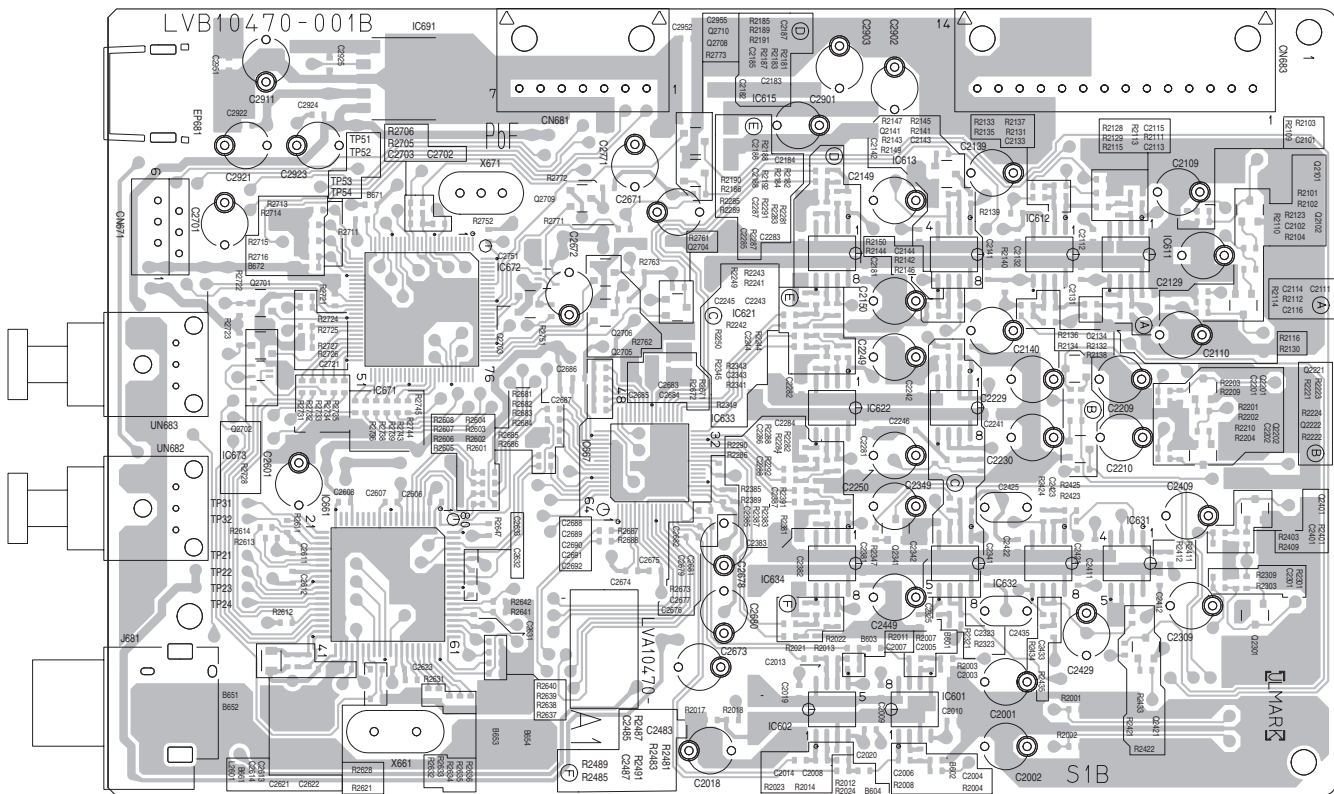
(Power switch board)



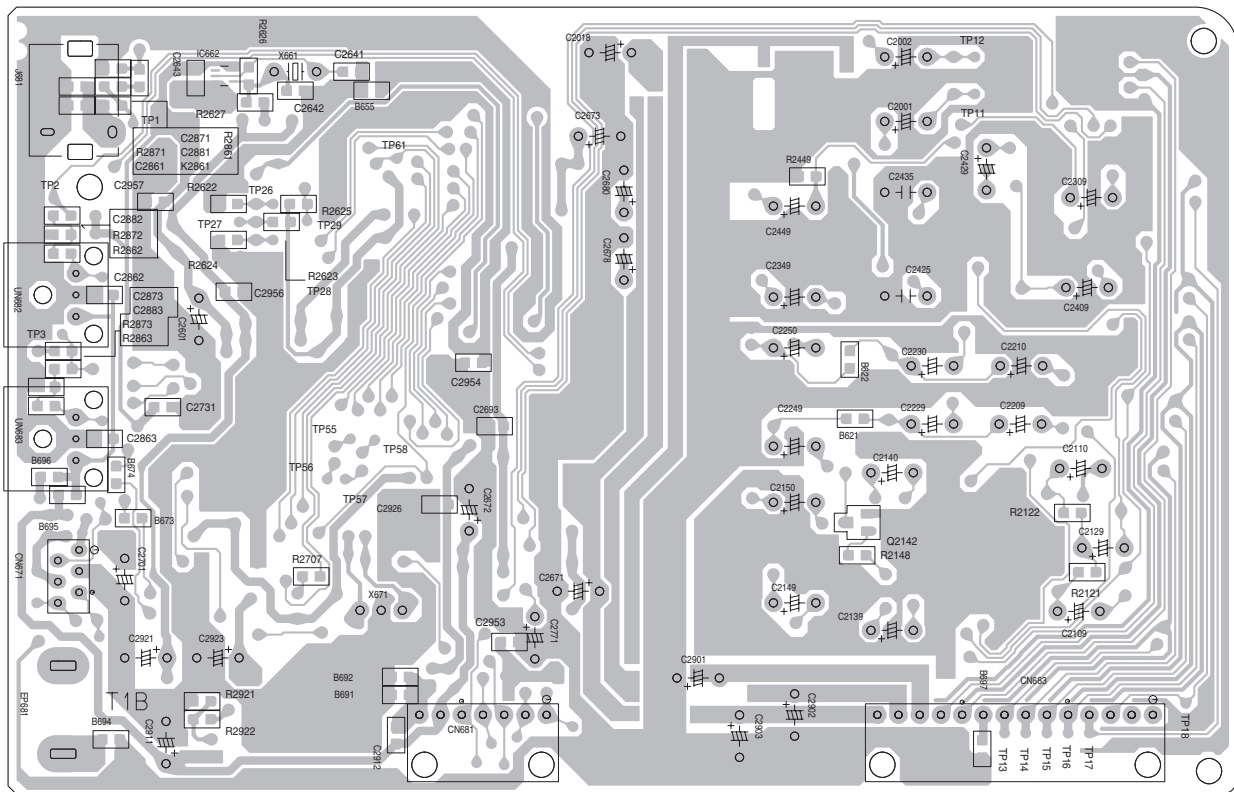
DSP board

Lead free solder used in the board (material : Sn-Ag-Cu, melting point : 219 Centigrade)

forward side



reverse side



< MEMO >

JVC

Victor Company of Japan, Limited

Audio/Video Systems Category 10-1,1chome,Ohwatari-machi,Maebashi-city,371-8543,Japan

(No.MB504SCH)



Printed in Japan
VPT

PARTS LIST

RX-5060BJ,RX-5060BC,RX-5060BE
RX-5062SB,RX-5062SE,RX-5062SEN,RX-5062SEV

* All printed circuit boards and its assemblies are not available as service parts.

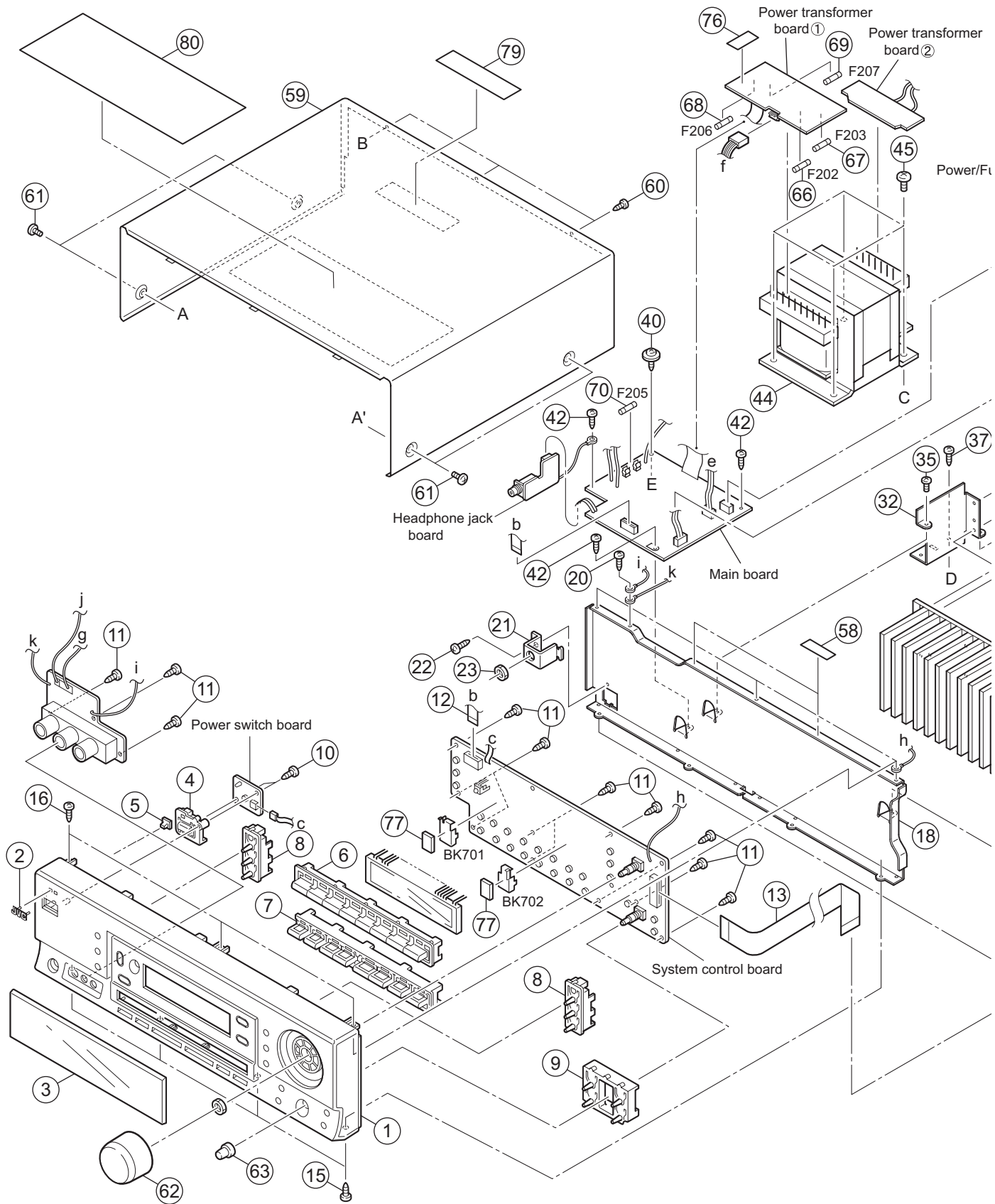
- Contents -

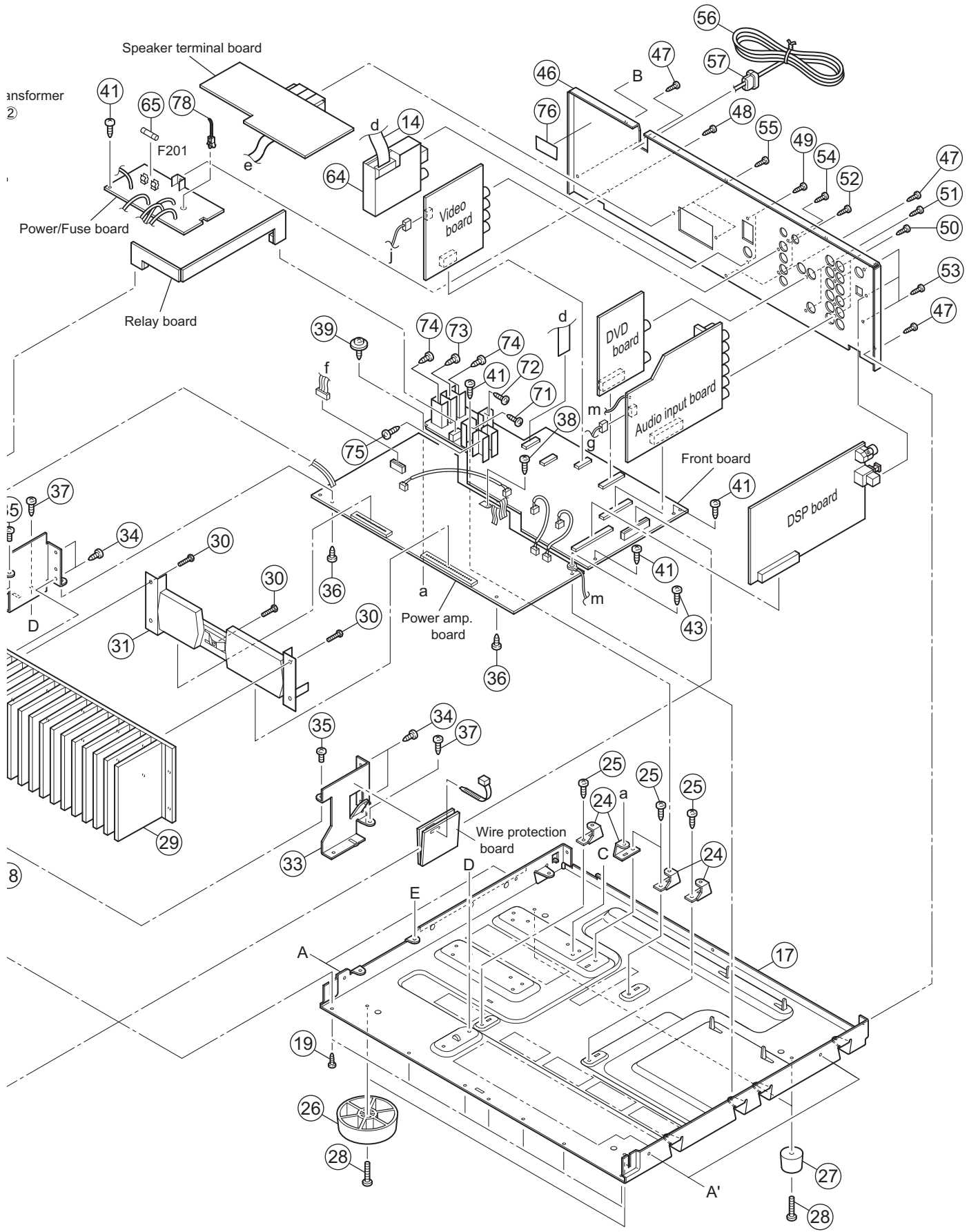
| | |
|--|------|
| Exploded view of general assembly and parts list (Block No.M1) | 3-2 |
| Electrical parts list (Block No.01~04)..... | 3-6 |
| Packing materials and accessories parts list (Block No.M3) | 3-16 |

Exploded view of general assembly and parts list

Block No.

| | | | |
|---|---|---|---|
| M | 1 | M | M |
|---|---|---|---|





General Assembly

Block No. [M][1][M][M]

| △ | Symbol No. | Part No. | Part Name | Description | Local |
|---|------------|-----------------|-------------------|-----------------|--|
| | 1 | LV10756-033A | FRONT PANEL | | 5060BJ,5060BC |
| | 1 | LV10756-034A | FRONT PANEL | | 5060BE |
| | 1 | LV10756-036A | FRONT PANEL | | 5062SE,5062SB,5062SEN,5062SEV |
| | 2 | LV43338-002A | JVC MARK | | |
| | 3 | LV34003-001A | LENS | | |
| | 4 | LV34000-003A | PUSH BUTTON(POW) | | 5060BJ,5060BC,5060BE |
| | 4 | LV34000-004A | PUSH BUTTON(POW) | | 5062SE,5062SB,5062SEN,5062SEV |
| | 5 | LV42096-001A | INDICATOR | | |
| | 6 | LV21420-003A | PUSH BUTTON | | 5060BJ,5060BC,5060BE |
| | 6 | LV21420-004A | PUSH BUTTON | | 5062SE,5062SB,5062SEN,5062SEV |
| | 7 | LV21421-001A | PUSH BUTTON(FM) | | 5060BJ,5060BC,5060BE |
| | 7 | LV21421-002A | PUSH BUTTON(FM) | | 5062SE,5062SB,5062SEN,5062SEV |
| | 8 | LV34001-001A | 3-BUTTON | (x2) | 5060BJ,5060BC,5060BE |
| | 8 | LV34001-002A | 3-BUTTON | (x2) | 5062SE,5062SB,5062SEN,5062SEV |
| | 9 | LV34002-001A | 4-BUTTON | | 5060BJ,5060BC,5060BE |
| | 9 | LV34002-002A | 4-BUTTON | | 5062SE,5062SB,5062SEN,5062SEV |
| | 10 | QYSBSF2608ZA | TAP SCREW | M2.6 x 8mm(x2) | |
| | 11 | QYSBSF2608ZA | TAP SCREW | M2.6 x 8mm(x12) | |
| | 12 | QUQQ12-1215CJ-E | FFC WIRE | 12pin 15cm | |
| | 13 | QUQQ12-2730CJ-E | FFC WIRE | 27pin 30cm | |
| | 14 | QUQQ12-1110CJ-E | FFC WIRE | 11pin 10cm | 5060BJ,5060BC |
| | 14 | QUQQ12-1510CJ-E | FFC WIRE | 15pin 10cm | 5060BE,5062SE,5062SB,5062SEN, 5062SEV |
| | 15 | QYSDSG3008ZA | TAP SCREW | M3 x 8mm(x4) | |
| | 16 | QYSBSG3008ZA | TAP SCREW | M3 x 8mm(x3) | |
| | 17 | LV10873-002A | CHASSIS BASE | | |
| | 18 | LV10458-004A | FRONT BRACKET | | |
| | 19 | QYSDSG3008ZA | TAP SCREW | M3 x 8mm(x7) | |
| | 20 | QYSDSG3008ZA | TAP SCREW | M3 x 8mm | |
| | 21 | LV43304-001A | BKT(PHONES) | | |
| | 22 | QYSBSG3008ZA | TAP SCREW | M3 x 8mm | |
| | 23 | VKZ4150-001 | SPECIAL NUT | | |
| | 24 | E68587-223SM | CB BKT | (x4) | |
| | 25 | QYSBST3006ZA | TAP SCREW | M3 x 6mm(x4) | |
| | 26 | QZF6018-001 | FOOT | 60mm x 18mm(x2) | 5060BJ,5060BC,5060BE |
| | 26 | QZF6018-003 | FOOT | 60mm x 18mm(x2) | 5062SE,5062SB,5062SEN,5062SEV |
| | 27 | E47227-036 | FOOT | (x2) | |
| | 28 | QYSBST3010ZA | TAP SCREW | M3 x 10mm(x4) | |
| | 29 | LV20916-003A | HEAT SINK | | |
| | 30 | QYSBSG3012ZA | TAP SCREW | M3 x 12mm(x3) | |
| | 31 | LV34704-001A | PACK BRACKET | | |
| | 32 | LV34705-001A | H.S BRACKET(L) | | |
| | 33 | LV34706-001A | H.S BRACKET(R) | | |
| | 34 | QYSBSG3008ZA | TAP SCREW | M3 x 8mm(x4) | |
| | 35 | QYSBST3006ZA | TAP SCREW | M3 x 6mm(x2) | |
| | 36 | QYSBSG3008ZA | TAP SCREW | M3 x 8mm(x2) | |
| | 37 | QYSBST3006ZA | TAP SCREW | M3 x 6mm(x2) | |
| | 38 | QYSBSG3008ZA | TAP SCREW | M3 x 8mm | |
| | 39 | E65923-009 | TAPPING SCREW | | |
| | 40 | E65923-009 | TAPPING SCREW | | |
| | 41 | QYSBSG3008ZA | TAP SCREW | M3 x 8mm(x4) | |
| | 42 | QYSBSG3008ZA | TAP SCREW | M3 x 8mm(x3) | |
| | 43 | QYSBSG3008ZA | TAP SCREW | M3 x 8mm | |
| △ | 44 | QQT0518-001 | POWER TRANSF | | 5060BJ,5060BC |
| △ | 44 | QQT0518-002 | POWER TRANSF | | 5060BE,5062SE,5062SB,5062SEN ,5062SEV |
| | 45 | QYSDSTL4008ZA | TAP SCREW | M4 x 8mm(x4) | |
| | 46 | LV20915-0B5A | REAR PANEL | | 5060BJ,5060BC |
| | 46 | LV20915-0B6A | REAR PANEL | | 5060BE |
| | 46 | LV20915-0B7A | REAR PANEL | | 5062SE,5062SB,5062SEN |
| | 46 | LV20915-0B8A | REAR PANEL | | 5062SEV |
| | 47 | QYSBSGY3008EA | TAP SCREW | M3 x 8mm(x3) | |
| | 48 | QYSBSGY3008EA | TAP SCREW | M3 x 8mm | |
| | 49 | QYSBSGY3008EA | TAP SCREW | M3 x 8mm(x2) | |
| | 50 | QYSBSGY3008EA | TAP SCREW | M3 x 8mm(x4) | |
| | 51 | QYSBSGY3008EA | TAP SCREW | M3 x 8mm(x2) | |
| | 52 | QYSBSGY3008EA | TAP SCREW | M3 x 8mm(x2) | |
| | 53 | QYSBSGY3008EA | TAP SCREW | M3 x 8mm(x3) | |
| | 54 | QYSBSGY3008EA | TAP SCREW | M3 x 8mm | 5060BJ,5060BC |
| | 55 | QYSBSGY3008EA | TAP SCREW | M3 x 8mm(x2) | |
| △ | 56 | QMPD420-200-JV | POWER CORD(US/CA) | 2m BLACK | 5060BJ,5060BC |
| △ | 56 | QMPK250-205-JV | POWER CORD(US/CA) | 2.05m BLACK | 5060BE,5062SE,5062SEN,5062SEV |
| △ | 56 | QMPN100-200-JD | POWER CORD(US/CA) | 2m BLACK | 5062SB |
| △ | 57 | QZW0033-001 | STRAIN RELIEF | | |

| △ Symbol No. | Part No. | Part Name | Description | Local |
|--------------|----------------|---------------|--------------|--|
| 58 | LV30225-0H3A | SPACER | (x2) | |
| 59 | LV21649-005A | TOP COVER | | 5060BJ,5060BC,5060BE |
| 59 | LV21649-006A | TOP COVER | | 5062SE,5062SB,5062SEN,5062SEV |
| 60 | QYSBSGY3008EA | TAP SCREW | M3 x 8mm(x3) | |
| 61 | E406308-006 | SPECIAL SCREW | (x4) | 5060BJ,5060BC,5060BE |
| 61 | E406308-007 | SPECIAL SCREW | (x4) | 5062SE,5062SB,5062SEN,5062SEV |
| 62 | LV43463-001A | VOL KNOB ASSY | | 5060BJ,5060BC,5060BE |
| 62 | LV43463-002A | VOL KNO ASSY | | 5062SE,5062SB,5062SEN,5062SEV |
| 63 | LV43458-001A | JOG KNOB ASSY | | 5060BJ,5060BC,5060BE |
| 63 | LV43458-002A | JOG KNOB ASSY | | 5062SE,5062SB,5062SEN,5062SEV |
| 64 | QAU0412-001 | TUNER | | 5060BJ,5060BC |
| 64 | QAU0413-001 | TUNER | | 5060BE,5062SE,5062SB,5062SEN, 5062SEV |
| △ 65 | QMF51U1-5R0-J8 | FUSE | 5A AC125V | 5060BJ,5060BC |
| △ 65 | QMF51W2-1R6-J8 | FUSE | 1.6A AC250V | 5060BE,5062SE,5062SB,5062SEN, 5062SEV |
| △ 66 | QMF51U1-2R0-J8 | FUSE | 2A AC125V | 5060BJ,5060BC |
| △ 66 | QMF51W2-2R0-J8 | FUSE | 2A AC250V | 5060BE,5062SE,5062SB,5062SEN, 5062SEV |
| △ 67 | QMF51U1-2R0-J8 | FUSE | 2A AC125V | 5060BJ,5060BC |
| △ 67 | QMF51W2-2R0-J8 | FUSE | 2A AC250V | 5060BE,5062SE,5062SB,5062SEN, 5062SEV |
| △ 68 | QMF51U1-5R0-J8 | FUSE | 5A AC125V | 5060BJ,5060BC |
| △ 68 | QMF51W2-5R0-J8 | FUSE | 5A AC250V | 5060BE,5062SE,5062SB,5062SEN, 5062SEV |
| △ 69 | QMF51U1-5R0-J8 | FUSE | 5A AC125V | 5060BJ,5060BC |
| △ 69 | QMF51W2-5R0-J8 | FUSE | 5A AC250V | 5060BE,5062SE,5062SB,5062SEN, 5062SEV |
| △ 70 | QMF5AE2-R10-J1 | FUSE | 0.1A AC250V | 5060BE,5062SE,5062SB,5062SEN, 5062SEV |
| 71 | QYSBSG3008EA | TAP SCREW | M3 x 8mm | |
| 72 | QYSBSG3008EA | TAP SCREW | M3 x 8mm | |
| 73 | QYSBSG3008EA | TAP SCREW | M3 x 8mm | |
| 74 | QYSBSG3008EA | TAP SCREW | M3 x 8mm(x2) | |
| 75 | QYSBSG3008EA | TAP SCREW | M3 x 8mm | |
| 76 | LV42388-001A | FUSE CAUTION | (x2) | 5060BJ,5060BC |
| 77 | LV30225-0S7A | SPACER | (x2) | |
| 78 | E307572-001 | FASTENER | | 5060BE,5062SE,5062SB,5062SEN, 5062SEV |
| 79 | E409396-003 | CAUTION LABEL | | |
| 80 | LV30077-004A | PROTECT SHEET | | 5060BE |
| 80 | LV30077-006A | PROTECT SHEET | | 5062SE,5062SB,5062SEN,5062SEV |

Electrical parts list

Main board

| Block No. [0][1] | | | | |
|------------------|-----------------|-----------------|---------------|--|
| △ Symbol No. | Part No. | Part Name | Description | Local |
| PW903 | QUB220-19DMHP-E | SIN TWIST WIRE | | |
| IC501 | NJM2246D | IC | | |
| Q202 | KRC105M-T | DIGI TRANSISTOR | | |
| △ Q203 | KTC3203/OY/-T | TRANSISTOR | | |
| Q205 | KTC3200/GL/-T | TRANSISTOR | | |
| Q206 | KRC105M-T | DIGI TRANSISTOR | | |
| Q208 | KRC105M-T | DIGI TRANSISTOR | | |
| Q209 | KRC105M-T | DIGI TRANSISTOR | | |
| Q210 | KRC105M-T | DIGI TRANSISTOR | | |
| Q502 | KTC3199/GL/-T | TRANSISTOR | | |
| Q503 | KRC101M-T | TRANSISTOR | | |
| Q505 | KTC3199/GL/-T | TRANSISTOR | | |
| △ D201 | PG4003-F21 | DIODE | | |
| △ D202 | 1A3G-T1 | SI DIODE | | |
| △ D203 | PG4003-F21 | DIODE | | |
| △ D204 | 1A3G-T1 | SI DIODE | | |
| △ D206 | 1A3G-T1 | SI DIODE | | |
| △ D207 | 1A3G-T1 | SI DIODE | | |
| △ D208 | 1A3G-T1 | SI DIODE | | |
| △ D209 | 1A3G-T1 | SI DIODE | | |
| D210 | 1SS133-T2 | DIODE | | |
| D211 | MTZJ6.8C-T2 | Z DIODE I/M | | |
| D212 | 1A3G-T1 | SI DIODE | | |
| D217 | MTZJ8.2C-T2 | Z DIODE | | |
| D218 | 1SS133-T2 | DIODE | | |
| D219 | 1A3G-T1 | SI DIODE | | |
| D220 | 1A3G-T1 | SI DIODE | | |
| D221 | 1SS133-T2 | DIODE | | |
| C201 | QFLC2AJ-104Z | M CAPACITOR | 0.1uF 100V J | |
| C202 | QFLC2AJ-104Z | M CAPACITOR | 0.1uF 100V J | |
| C203 | QFLC2AJ-104Z | M CAPACITOR | 0.1uF 100V J | |
| C204 | QETM1VM-228 | E CAPACITOR | 2200uF 35V M | |
| C205 | QETM1VM-108 | E CAPACITOR | 1000uF 35V M | |
| C206 | QFLC1HJ-473Z | M CAPACITOR | 0.047uF 50V J | |
| C207 | QFLC1HJ-473Z | M CAPACITOR | 0.047uF 50V J | |
| C208 | QFLC2AJ-472Z | M CAPACITOR | 4700pF 100V J | |
| C209 | QETN1EM-477Z | E CAPACITOR | 470uF 25V M | |
| △ C210 | QCZ9104-472 | C CAPACITOR | 4700pF | |
| C212 | QETN1CM-477Z | E CAPACITOR | 470uF 16V M | |
| C213 | QETN0JM-228Z | E CAPACITOR | 2200uF 6.3V M | |
| C218 | QETN1HM-105Z | E CAPACITOR | 1uF 50V M | |
| C221 | QCBB1HK-471Y | C CAPACITOR | 470pF 50V K | 5060BE, 5062SE, 5062SB, 5062SE N,5062S EV |
| C501 | QEKC1HM-475Z | E CAPACITOR | 4.7uF 50V M | |
| C503 | QETN1AM-477Z | E CAPACITOR | 470uF 10V M | |
| C505 | QEKC1HM-475Z | E CAPACITOR | 4.7uF 50V M | |
| C506 | QETN1AM-477Z | E CAPACITOR | 470uF 10V M | |
| C508 | QEKC1HM-475Z | E CAPACITOR | 4.7uF 50V M | |
| C511 | QETN1CM-227Z | E CAPACITOR | 220uF 16V M | |
| C512 | QCBB1HK-223Y | C CAPACITOR | 0.022uF 50V K | |
| C513 | QCSB1HJ-390Y | C CAPACITOR | 39pF 50V J | 5060BE, 5062SE, 5062SB, 5062SE N,5062S EV |
| C514 | QCSB1HJ-390Y | C CAPACITOR | 39pF 50V J | 5060BE, 5062SE, 5062SB, 5062SE N,5062S EV |
| C515 | QCSB1HJ-390Y | C CAPACITOR | 39pF 50V J | 5060BE, 5062SE, 5062SB, 5062SE N,5062S EV |
| C521 | QCBB1HK-221Y | C CAPACITOR | 220pF 50V K | 5060BJ, 5060BC |
| C522 | QCZ0202-155Z | C CAPACITOR | 1.5uF 25V Z | 5060BJ, 5060BC |

| △ Symbol No. | Part No. | Part Name | Description | Local |
|--------------|----------------|----------------|--------------|--|
| C901 | QCSB1HJ-470Y | C CAPACITOR | 47pF 50V J | |
| C903 | QCBB1HK-331Y | C CAPACITOR | 330pF 50V K | |
| C904 | QCBB1HK-331Y | C CAPACITOR | 330pF 50V K | |
| C905 | QCFB1HZ-104Y | C CAPACITOR | 0.1uF 50V Z | |
| △ R1 | QRZ9037-335 | COMP RESISTOR | 3.3MΩ 1/2W K | 5060BJ, 5060BC |
| △ R201 | QRJ146J-4R7X | UNF C RESISTOR | 4.7Ω 1/4W J | |
| △ R204 | QRJ146J-821X | UNF C RESISTOR | 820Ω 1/4W J | |
| △ R208 | QRJ146J-100X | UNF C RESISTOR | 10Ω 1/4W J | |
| R209 | QRE141J-104Y | C RESISTOR | 100kΩ 1/4W J | |
| △ R210 | QRK126J-121X | UNF C RESISTOR | 120Ω 1/2W J | |
| △ R221 | QRJ146J-100X | UNF C RESISTOR | 10Ω 1/4W J | |
| R501 | QRE141J-331Y | C RESISTOR | 330Ω 1/4W J | |
| R502 | QRE141J-750Y | C RESISTOR | 75Ω 1/4W J | |
| R505 | QRE141J-750Y | C RESISTOR | 75Ω 1/4W J | |
| R506 | QRE141J-473Y | C RESISTOR | 47kΩ 1/4W J | |
| R507 | QRE141J-331Y | C RESISTOR | 330Ω 1/4W J | |
| R508 | QRE141J-750Y | C RESISTOR | 75Ω 1/4W J | |
| R509 | QRE141J-750Y | C RESISTOR | 75Ω 1/4W J | |
| R510 | QRE141J-473Y | C RESISTOR | 47kΩ 1/4W J | |
| R511 | QRE141J-331Y | C RESISTOR | 330Ω 1/4W J | |
| R512 | QRE141J-131Y | C RESISTOR | 130Ω 1/4W J | |
| R513 | QRE141J-751Y | C RESISTOR | 750Ω 1/4W J | |
| R515 | QRE141J-131Y | C RESISTOR | 130Ω 1/4W J | |
| R521 | QRE141J-221Y | C RESISTOR | 220Ω 1/4W J | 5060BJ, 5060BC |
| R522 | QRE141J-471Y | C RESISTOR | 470Ω 1/4W J | 5060BJ, 5060BC |
| R901 | QRE141J-750Y | C RESISTOR | 75Ω 1/4W J | |
| R903 | QRE141J-471Y | C RESISTOR | 470Ω 1/4W J | |
| R903 | QRE141J-561Y | C RESISTOR | 560Ω 1/4W J | 5060BE, 5062SE, 5062SB, 5062SE N,5062S EV |
| R904 | QRE141J-471Y | C RESISTOR | 470Ω 1/4W J | 5060BE, 5062SE, 5062SB, 5062SE N,5062S EV |
| R904 | QRE141J-561Y | C RESISTOR | 560Ω 1/4W J | 5060BE, 5062SE, 5062SB, 5062SE N,5062S EV |
| L901 | QQL244K-100Z | COIL | 10uH K | |
| △ T202 | QQT0478-001 | POWER TRANSF | | 5060BJ, 5060BC |
| △ T202 | QQT0478-002 | POWER TRANSF | | 5060BE, 5062SE, 5062SB, 5062SE N,5062S EV |
| CN203 | QGD2504C1-04Z | CONNECTOR | (1-4) | |
| CN241 | QGD2504C1-05Z | CONNECTOR | (1-5) | |
| CN251 | QGA3901F2-05 | CONNECTOR | W-B (1-5) | |
| CN291 | QGB2510J1-04 | CONNECTOR | B-B (1-4) | |
| CN292 | QGB2510K1-04 | CONNECTOR | B-B (1-4) | |
| CN492 | QGB2510K1-04 | CONNECTOR | B-B (1-4) | |
| CN501 | QGB2510K1-06 | CONNECTOR | B-B (1-6) | |
| CN504 | QGA2501F1-02 | CONNECTOR | W-B (1-2) | |
| CN904 | WJP0080-001A-E | SIN TWIST WIRE | | |
| EP1 | E409182-001SM | GRAND TERMINAL | | |
| EP201 | QNZ0136-001Z | IM EARTH PLATE | | |
| FC211 | QNG0020-001Z | FUSE CLIP I.M | | |
| FC212 | QNG0020-001Z | FUSE CLIP I.M | | |
| FC221 | QNG0020-001Z | FUSE CLIP I.M | | |
| FC222 | QNG0020-001Z | FUSE CLIP I.M | | |
| FC231 | QNG0020-001Z | FUSE CLIP I.M | | |
| FC232 | QNG0020-001Z | FUSE CLIP I.M | | |
| FC251 | QNG0020-001Z | FUSE CLIP I.M | | 5060BE, 5062SE, 5062SB, 5062SE N,5062S EV |
| FC252 | QNG0020-001Z | FUSE CLIP I.M | | 5060BE, 5062SE, 5062SB, 5062SE N,5062S EV |
| FC261 | QNG0020-001Z | FUSE CLIP I.M | | 5060BJ, 5060BC |
| FC262 | QNG0020-001Z | FUSE CLIP I.M | | 5060BJ, 5060BC |
| FC271 | QNG0020-001Z | FUSE CLIP I.M | | 5060BJ, 5060BC |

| △ Symbol No. | Part No. | Part Name | Description | Local | △ Symbol No. | Part No. | Part Name | Description | Local |
|--------------|-----------------|-----------------|-------------|-------------------|--------------|--------------|-------------|-------------|--|
| FC272 | QNG0020-001Z | FUSE CLIP I.M | | | | | | | 5060BE, 5062SE, 5062SB, 5062SE N,5062S EV |
| FW201 | QUM215-14Z3Z-E | PARA RIBON WIRE | | | C421 | QCBB1HK-331Y | C CAPACITOR | 330pF 50V K | |
| FW251 | QUM213-08DGZ3-E | PARA RIBON WIRE | | | | | | | 5060BE, 5062SE, 5062SB, 5062SE N,5062S EV |
| J501 | QNN0011-001 | PIN JACK | | | C422 | QCBB1HK-331Y | C CAPACITOR | 330pF 50V K | |
| J502 | QNN0011-001 | PIN JACK | | | | | | | 5060BE, 5062SE, 5062SB, 5062SE N,5062S EV |
| J521 | QNS0089-001 | 3.5 JACK | | 5060BJ, 5060BC | C423 | QCBB1HK-331Y | C CAPACITOR | 330pF 50V K | |
| J901 | QNN0772-001 | PINJACK | | | | | | | 5060BE, 5062SE, 5062SB, 5062SE N,5062S EV |
| K901 | QQR1183-001Z | FERRITE BEADS | | 5060BJ, 5060BC | C424 | QCBB1HK-331Y | C CAPACITOR | 330pF 50V K | |
| △ RY202 | QSK0128-001 | RELAY | | | | | | | 5060BE, 5062SE, 5062SB, 5062SE N,5062S EV |
| △ RY203 | QSK0127-001 | RELAY | | | C425 | QCBB1HK-331Y | C CAPACITOR | 330pF 50V K | |
| TA201 | QNZ0079-001Z | TAB I.M | | | | | | | 5060BE, 5062SE, 5062SB, 5062SE N,5062S EV |
| TA202 | QNZ0079-001Z | TAB I.M | | | C426 | QCBB1HK-331Y | C CAPACITOR | 330pF 50V K | |

Amplifier board

Block No. [0][2]

| △ Symbol No. | Part No. | Part Name | Description | Local | △ Symbol No. | Part No. | Part Name | Description | Local |
|--------------|-----------------|----------------|---------------|--|--------------|--------------|----------------|--------------|--|
| PW401 | QUB220-12DMHP-E | SIN TWIST WIRE | | | C427 | QCBB1HK-221Y | C CAPACITOR | 220pF 50V K | |
| △ IC101 | STK412-400 | IC | | | C428 | QCBB1HK-221Y | C CAPACITOR | 220pF 50V K | |
| △ IC102 | STK413-400 | IC | | | | | | | 5060BE, 5062SE, 5062SB, 5062SE N,5062S EV |
| IC402 | BD3841FS-X | IC | | | C429 | QCBB1HK-331Y | C CAPACITOR | 330pF 50V K | |
| Q1131 | KTC3200/GL/-T | TRANSISTOR | | | | | | | 5060BE, 5062SE, 5062SB, 5062SE N,5062S EV |
| Q1132 | KTC3200/GL/-T | TRANSISTOR | | | C430 | QCBB1HK-331Y | C CAPACITOR | 330pF 50V K | |
| Q1171 | KTC3200/GL/-T | TRANSISTOR | | | | | | | 5060BE, 5062SE, 5062SB, 5062SE N,5062S EV |
| Q1172 | KTA1268/GL/-T | TRANSISTOR | | | C431 | QCBB1HK-331Y | C CAPACITOR | 330pF 50V K | |
| Q1173 | KTC3199/GL/-T | TRANSISTOR | | | | | | | 5060BE, 5062SE, 5062SB, 5062SE N,5062S EV |
| △ Q1175 | KTA1046/Y/ | TRANSISTOR * | | | C432 | QCBB1HK-331Y | C CAPACITOR | 330pF 50V K | |
| Q1185 | KTA1268/GL/-T | TRANSISTOR | | | | | | | 5060BE, 5062SE, 5062SB, 5062SE N,5062S EV |
| Q1231 | KTC3200/GL/-T | TRANSISTOR | | | C433 | QCBB1HK-221Y | C CAPACITOR | 220pF 50V K | |
| Q1232 | KTC3200/GL/-T | TRANSISTOR | | | C434 | QCBB1HK-221Y | C CAPACITOR | 220pF 50V K | |
| Q1261 | KTC3200/GL/-T | TRANSISTOR | | | | | | | 5060BE, 5062SE, 5062SB, 5062SE N,5062S EV |
| △ D1101 | UF304G-F82 | DIODE | | | C435 | QCBB1HK-331Y | C CAPACITOR | 330pF 50V K | |
| △ D1102 | UF304G-F82 | DIODE | | | | | | | 5060BE, 5062SE, 5062SB, 5062SE N,5062S EV |
| △ D1103 | UF304G-F82 | DIODE | | | C436 | QCBB1HK-331Y | C CAPACITOR | 330pF 50V K | |
| △ D1104 | UF304G-F82 | DIODE | | | | | | | 5060BE, 5062SE, 5062SB, 5062SE N,5062S EV |
| △ D1105 | UF304G-F82 | DIODE | | | C437 | QCBB1HK-331Y | C CAPACITOR | 330pF 50V K | |
| △ D1106 | UF304G-F82 | DIODE | | | C438 | QCBB1HK-331Y | C CAPACITOR | 330pF 50V K | |
| △ D1107 | UF304G-F82 | DIODE | | | C443 | QETN1EM-476Z | E CAPACITOR | 47uF 25V M | |
| △ D1108 | UF304G-F82 | DIODE | | | C444 | QETN1EM-476Z | E CAPACITOR | 47uF 25V M | |
| D1121 | MTZJ15C-T2 | Z DIODE | | | | | | | 5060BE, 5062SE, 5062SB, 5062SE N,5062S EV |
| D1122 | MTZJ15C-T2 | Z DIODE | | | C451 | QCBB1HK-331Y | C CAPACITOR | 330pF 50V K | |
| D1129 | 1SS133-T2 | DIODE | | | | | | | 5060BE, 5062SE, 5062SB, 5062SE N,5062S EV |
| D1130 | 1SS133-T2 | DIODE | | | C452 | QCBB1HK-331Y | C CAPACITOR | 330pF 50V K | |
| D1141 | MTZJ36C-T2 | Z DIODE | | | | | | | 5060BE, 5062SE, 5062SB, 5062SE N,5062S EV |
| D1171 | 1SS133-T2 | DIODE | | | C460 | QDGB1HK-102Y | C CAPACITOR | 1000pF 50V K | |
| D1221 | MTZJ15C-T2 | Z DIODE | | | | | | | 5060BE, 5062SE, 5062SB, 5062SE N,5062S EV |
| D1222 | MTZJ15C-T2 | Z DIODE | | | C1101 | QFLC1HJ-471Z | M CAPACITOR | 470pF 50V J | |
| D1229 | 1SS133-T2 | DIODE | | | C1102 | QFLC1HJ-471Z | M CAPACITOR | 470pF 50V J | |
| D1230 | 1SS133-T2 | DIODE | | | C1103 | QENC1HM-475Z | BP E CAPACITOR | 4.7uF 50V M | |
| D1261 | 1SS133-T2 | DIODE | | | C1104 | QENC1HM-475Z | BP E CAPACITOR | 4.7uF 50V M | |
| D1352 | 1SS133-T2 | DIODE | | | C1105 | QETN1AM-227Z | E CAPACITOR | 220uF 10V M | |
| D1353 | 1SS133-T2 | DIODE | | | C1106 | QETN1AM-227Z | E CAPACITOR | 220uF 10V M | |
| D1354 | 1SS133-T2 | DIODE | | | C1107 | QCSB1HK-3R3Y | C CAPACITOR | 3.3pF 50V K | |
| C101 | QCBB1HK-331Y | C CAPACITOR | 330pF 50V K | 5060BJ, 5060BC | C1108 | QCSB1HK-3R3Y | C CAPACITOR | 3.3pF 50V K | |
| C101 | QDGB1HK-102Y | C CAPACITOR | 1000pF 50V K | 5060BE, 5062SE, 5062SB, 5062SE N,5062S EV | | | | | |
| C102 | QCBB1HK-331Y | C CAPACITOR | 330pF 50V K | 5060BJ, 5060BC | | | | | 5060BE, 5062SE, 5062SB, 5062SE N,5062S EV |
| C102 | QDGB1HK-102Y | C CAPACITOR | 1000pF 50V K | 5060BE, 5062SE, 5062SB, 5062SE N,5062S EV | | | | | |
| C418 | QCBB1HK-561Y | C CAPACITOR | 560pF 50V K | | | | | | 5060BE, 5062SE, 5062SB, 5062SE N,5062S EV |
| C419 | QCBB1HK-223Y | C CAPACITOR | 0.022uF 50V K | | | | | | 5060BE, 5062SE, 5062SB, 5062SE N,5062S EV |
| C420 | QCBB1HK-223Y | C CAPACITOR | 0.022uF 50V K | | | | | | 5060BE, 5062SE, 5062SB, 5062SE N,5062S EV |

| △ Symbol No. | Part No. | Part Name | Description | Local | △ Symbol No. | Part No. | Part Name | Description | Local |
|--------------|--------------|----------------|---------------|--|--------------|--------------|----------------|---------------|--|
| C1111 | QEZ0806-688 | E CAPACITOR | 6800uF | | | | | | 5060BE, 5062SE, 5062SB, 5062SE N,5062S EV |
| C1112 | QEZ0806-688 | E CAPACITOR | 6800uF | | | | | | |
| C1113 | QEZ0805-478 | E CAPACITER | 4700uF | | C1365 | QFLC1HJ-473Z | M CAPACITOR | 0.047uF 50V J | |
| C1114 | QEZ0805-478 | E CAPACITER | 4700uF | | | | | | |
| C1115 | QFZ9076-104Z | MM CAPACITOR | 0.1uF | | | | | | |
| C1116 | QFZ9076-104Z | MM CAPACITOR | 0.1uF | | C1366 | QCS32HJ-221Z | C CAPACITOR | 220pF 500V J | 5060BE, 5062SE, 5062SB, 5062SE N,5062S EV |
| C1117 | QFZ9076-104Z | MM CAPACITOR | 0.1uF | | | | | | |
| C1118 | QFZ9076-104Z | MM CAPACITOR | 0.1uF | | | | | | |
| C1119 | QFZ9076-104Z | MM CAPACITOR | 0.1uF | | | | | | |
| C1120 | QFZ9076-104Z | MM CAPACITOR | 0.1uF | | C1368 | QCS32HJ-221Z | C CAPACITOR | 220pF 500V J | 5060BE, 5062SE, 5062SB, 5062SE N,5062S EV |
| C1121 | QETN2AM-107Z | E CAPACITOR | 100uF 100V M | | | | | | |
| C1122 | QETN2AM-107Z | E CAPACITOR | 100uF 100V M | | | | | | |
| C1123 | QCBB1HJ-101Y | C CAPACITOR | 100pF 50V J | | C1369 | QFLC1HJ-473Z | M CAPACITOR | 0.047uF 50V J | 5060BE, 5062SE, 5062SB, 5062SE N,5062S EV |
| C1124 | QCBB1HJ-101Y | C CAPACITOR | 100pF 50V J | | | | | | |
| C1141 | QFLC1HJ-473Z | M CAPACITOR | 0.047uF 50V J | | | | | | |
| C1142 | QFLC1HJ-473Z | M CAPACITOR | 0.047uF 50V J | | | | | | |
| C1143 | QFLC1HJ-473Z | M CAPACITOR | 0.047uF 50V J | | C1370 | QFLC1HJ-473Z | M CAPACITOR | 0.047uF 50V J | 5060BE, 5062SE, 5062SB, 5062SE N,5062S EV |
| C1144 | QFLC1HJ-473Z | M CAPACITOR | 0.047uF 50V J | | | | | | |
| C1171 | QEKC1EM-106Z | E CAPACITOR | 10uF 25V M | | | | | | |
| C1172 | QEKC1CM-476Z | E CAPACITOR | 47uF 16V M | | | | | | |
| C1185 | QETN2AM-106Z | E CAPACITOR | 10uF 100V M | | | | | | |
| C1191 | QETN1HM-476Z | E CAPACITOR | 47uF 50V M | | C1371 | QCS32HJ-221Z | C CAPACITOR | 220pF 500V J | 5060BE, 5062SE, 5062SB, 5062SE N,5062S EV |
| C1201 | QFLC1HJ-471Z | M CAPACITOR | 470pF 50V J | | | | | | |
| C1202 | QFLC1HJ-471Z | M CAPACITOR | 470pF 50V J | | | | | | |
| C1203 | QENC1HM-475Z | BP E CAPACITOR | 4.7uF 50V M | | | | | | |
| C1204 | QENC1HM-475Z | BP E CAPACITOR | 4.7uF 50V M | | C1372 | QCS32HJ-221Z | C CAPACITOR | 220pF 500V J | 5060BE, 5062SE, 5062SB, 5062SE N,5062S EV |
| C1205 | QETN1CM-107Z | E CAPACITOR | 100uF 16V M | | | | | | |
| C1206 | QETN1CM-107Z | E CAPACITOR | 100uF 16V M | | | | | | |
| C1207 | QCSB1HK-3R3Y | C CAPACITOR | 3.3pF 50V K | | | | | | |
| C1208 | QCSB1HK-3R3Y | C CAPACITOR | 3.3pF 50V K | | | | | | |
| C1221 | QETN2AM-107Z | E CAPACITOR | 100uF 100V M | | C1373 | QCS32HJ-221Z | C CAPACITOR | 220pF 500V J | 5060BE, 5062SE, 5062SB, 5062SE N,5062S EV |
| C1222 | QETN2AM-107Z | E CAPACITOR | 100uF 100V M | | | | | | |
| C1223 | QCBB1HJ-101Y | C CAPACITOR | 100pF 50V J | | | | | | |
| C1224 | QCBB1HJ-101Y | C CAPACITOR | 100pF 50V J | | | | | | |
| C1241 | QFLC1HJ-473Z | M CAPACITOR | 0.047uF 50V J | | C1374 | QCS32HJ-221Z | C CAPACITOR | 220pF 500V J | 5060BE, 5062SE, 5062SB, 5062SE N,5062S EV |
| C1242 | QFLC1HJ-473Z | M CAPACITOR | 0.047uF 50V J | | | | | | |
| C1243 | QFLC1HJ-473Z | M CAPACITOR | 0.047uF 50V J | | | | | | |
| C1244 | QFLC1HJ-473Z | M CAPACITOR | 0.047uF 50V J | | | | | | |
| C1261 | QFLC1HJ-471Z | M CAPACITOR | 470pF 50V J | | | | | | |
| C1262 | QENC1HM-475Z | BP E CAPACITOR | 4.7uF 50V M | | C1375 | QCS32HJ-221Z | C CAPACITOR | 220pF 500V J | 5060BE, 5062SE, 5062SB, 5062SE N,5062S EV |
| C1263 | QETN1CM-107Z | E CAPACITOR | 100uF 16V M | | | | | | |
| C1264 | QCSB1HK-3R3Y | C CAPACITOR | 3.3pF 50V K | | | | | | |
| C1265 | QCBB1HJ-101Y | C CAPACITOR | 100pF 50V J | | C1376 | QCS32HJ-221Z | C CAPACITOR | 220pF 500V J | 5060BE, 5062SE, 5062SB, 5062SE N,5062S EV |
| C1266 | QFLC1HJ-473Z | M CAPACITOR | 0.047uF 50V J | | | | | | |
| C1267 | QFLC1HJ-473Z | M CAPACITOR | 0.047uF 50V J | | | | | | |
| C1268 | QCBB1HK-223Y | C CAPACITOR | 0.022uF 50V K | 5060BE, 5062SE, 5062SB, 5062SE N,5062S EV | C1377 | QCS32HJ-221Z | C CAPACITOR | 220pF 500V J | 5060BE, 5062SE, 5062SB, 5062SE N,5062S EV |
| C1333 | QCBB1HK-103Y | C CAPACITOR | 0.01uF 50V K | | | | | | |
| C1359 | QCS32HJ-221Z | C CAPACITOR | 220pF 500V J | 5060BE, 5062SE, 5062SB, 5062SE N,5062S EV | C1378 | QCS32HJ-221Z | C CAPACITOR | 220pF 500V J | 5060BE, 5062SE, 5062SB, 5062SE N,5062S EV |
| C1360 | QCS32HJ-221Z | C CAPACITOR | 220pF 500V J | 5060BE, 5062SE, 5062SB, 5062SE N,5062S EV | R101 | QRL027J-471 | OMF RESISTOR | 470Ω 2W J | |
| | | | | | R102 | QRL027J-471 | OMF RESISTOR | 470Ω 2W J | |
| | | | | | R421 | QRE141J-471Y | C RESISTOR | 470Ω 1/4W J | |
| | | | | | R422 | QRE141J-471Y | C RESISTOR | 470Ω 1/4W J | |
| C1361 | QFLC1HJ-473Z | M CAPACITOR | 0.047uF 50V J | 5060BE, 5062SE, 5062SB, 5062SE N,5062S EV | R423 | QRE141J-471Y | C RESISTOR | 470Ω 1/4W J | |
| | | | | | R424 | QRE141J-471Y | C RESISTOR | 470Ω 1/4W J | |
| | | | | | R425 | QRE141J-471Y | C RESISTOR | 470Ω 1/4W J | |
| | | | | | R426 | QRE141J-471Y | C RESISTOR | 470Ω 1/4W J | |
| | | | | | R429 | QRE141J-471Y | C RESISTOR | 470Ω 1/4W J | |
| C1362 | QFLC1HJ-473Z | M CAPACITOR | 0.047uF 50V J | 5060BE, 5062SE, 5062SB, 5062SE N,5062S EV | R430 | QRE141J-471Y | C RESISTOR | 470Ω 1/4W J | |
| | | | | | R431 | QRE141J-471Y | C RESISTOR | 470Ω 1/4W J | |
| | | | | | R432 | QRE141J-471Y | C RESISTOR | 470Ω 1/4W J | |
| | | | | | R435 | QRE141J-471Y | C RESISTOR | 470Ω 1/4W J | |
| C1363 | QCS32HJ-221Z | C CAPACITOR | 220pF 500V J | 5060BE, 5062SE, 5062SB, 5062SE N,5062S EV | R436 | QRE141J-471Y | C RESISTOR | 470Ω 1/4W J | |
| | | | | | R440 | QRE141J-102Y | C RESISTOR | 1kΩ 1/4W J | |
| | | | | | R441 | QRE141J-102Y | C RESISTOR | 1kΩ 1/4W J | |
| | | | | | R445 | QRE141J-104Y | C RESISTOR | 100kΩ 1/4W J | |
| | | | | | R446 | QRE141J-104Y | C RESISTOR | 100kΩ 1/4W J | |
| C1364 | QCS32HJ-221Z | C CAPACITOR | 220pF 500V J | 5060BE, 5062SE, 5062SB, 5062SE N,5062S EV | R447 | QRJ146J-2R2X | UNF C RESISTOR | 2.2Ω 1/4W J | |
| | | | | | R448 | QRJ146J-2R2X | UNF C RESISTOR | 2.2Ω 1/4W J | |
| | | | | | R451 | QRE141J-471Y | C RESISTOR | 470Ω 1/4W J | |
| | | | | | R452 | QRE141J-471Y | C RESISTOR | 470Ω 1/4W J | |
| | | | | | R471 | QRE141J-473Y | C RESISTOR | 47kΩ 1/4W J | |

| △ Symbol No. | Part No. | Part Name | Description | Local | △ Symbol No. | Part No. | Part Name | Description | Local |
|--------------|--------------|----------------|--------------|-------|--------------|-----------------|-----------------|-------------|---|
| R472 | QRE141J-473Y | C RESISTOR | 47kΩ 1/4W J | | △ R1235 | QRJ146J-2R2X | UNF C RESISTOR | 2.2Ω 1/4W J | |
| R473 | QRE141J-473Y | C RESISTOR | 47kΩ 1/4W J | | △ R1236 | QRJ146J-2R2X | UNF C RESISTOR | 2.2Ω 1/4W J | |
| R474 | QRE141J-473Y | C RESISTOR | 47kΩ 1/4W J | | △ R1237 | QRJ146J-2R2X | UNF C RESISTOR | 2.2Ω 1/4W J | |
| R475 | QRE141J-473Y | C RESISTOR | 47kΩ 1/4W J | | R1241 | QRJ146J-330X | UNF C RESISTOR | 33Ω 1/4W J | |
| R476 | QRE141J-473Y | C RESISTOR | 47kΩ 1/4W J | | R1242 | QRJ146J-330X | UNF C RESISTOR | 33Ω 1/4W J | |
| R477 | QRE141J-473Y | C RESISTOR | 47kΩ 1/4W J | | △ R1243 | QRL027J-100 | OMF RESISTOR | 10Ω 2W J | |
| R478 | QRE141J-473Y | C RESISTOR | 47kΩ 1/4W J | | △ R1244 | QRL027J-100 | OMF RESISTOR | 10Ω 2W J | |
| R479 | QRE141J-473Y | C RESISTOR | 47kΩ 1/4W J | | R1261 | QRE141J-102Y | C RESISTOR | 1kΩ 1/4W J | |
| R480 | QRE141J-473Y | C RESISTOR | 47kΩ 1/4W J | | R1262 | QRE141J-623Y | C RESISTOR | 62kΩ 1/4W J | |
| R481 | QRE141J-473Y | C RESISTOR | 47kΩ 1/4W J | | △ R1263 | QRJ146J-301X | UNF C RESISTOR | 300Ω 1/4W J | |
| R482 | QRE141J-473Y | C RESISTOR | 47kΩ 1/4W J | | R1264 | QRE141J-623Y | C RESISTOR | 62kΩ 1/4W J | |
| R1101 | QRE141J-102Y | C RESISTOR | 1kΩ 1/4W J | | △ R1265 | QRZ0224-R22 | EMIT.RESISTOR | 0.22Ω | |
| R1102 | QRE141J-102Y | C RESISTOR | 1kΩ 1/4W J | | R1266 | QRE141J-102Y | C RESISTOR | 1kΩ 1/4W J | |
| R1103 | QRE141J-104Y | C RESISTOR | 100kΩ 1/4W J | | R1267 | QRE141J-183Y | C RESISTOR | 18kΩ 1/4W J | |
| R1104 | QRE141J-104Y | C RESISTOR | 100kΩ 1/4W J | | R1268 | QRE141J-473Y | C RESISTOR | 47kΩ 1/4W J | |
| △ R1105 | QRJ146J-751X | UNF C RESISTOR | 750Ω 1/4W J | | R1269 | QRJ146J-330X | UNF C RESISTOR | 33Ω 1/4W J | |
| △ R1106 | QRJ146J-751X | UNF C RESISTOR | 750Ω 1/4W J | | △ R1270 | QRL027J-100 | OMF RESISTOR | 10Ω 2W J | |
| R1107 | QRE141J-104Y | C RESISTOR | 100kΩ 1/4W J | | △ R1352 | QRK126J-121X | UNF C RESISTOR | 120Ω 1/2W J | |
| R1108 | QRE141J-104Y | C RESISTOR | 100kΩ 1/4W J | | △ R1353 | QRK126J-121X | UNF C RESISTOR | 120Ω 1/2W J | |
| R1109 | QRE141J-333Y | C RESISTOR | 33kΩ 1/4W J | | △ R1354 | QRK126J-121X | UNF C RESISTOR | 120Ω 1/2W J | |
| △ R1121 | QRJ146J-471X | UNF C RESISTOR | 470Ω 1/4W J | | | | | | 5060BE, 5062SE, 5062SB, 5062SE |
| △ R1122 | QRJ146J-471X | UNF C RESISTOR | 470Ω 1/4W J | | △ R1370 | QRJ146J-3R9X | UNF C RESISTOR | 3.9Ω 1/4W J | |
| △ R1123 | QRL017J-152 | OMF RESISTOR | 1.5kΩ 1W J | | | | | | 5060BE, 5062SE, 5062SB, 5062SE |
| △ R1124 | QRL017J-152 | OMF RESISTOR | 1.5kΩ 1W J | | | | | | N,5062S EV |
| △ R1125 | QRZ0224-R22 | EMIT.RESISTOR | 0.22Ω | | △ R1371 | QRJ146J-3R9X | UNF C RESISTOR | 3.9Ω 1/4W J | |
| △ R1126 | QRZ0224-R22 | EMIT.RESISTOR | 0.22Ω | | | | | | 5060BE, 5062SE, 5062SB, 5062SE |
| R1127 | QRE141J-102Y | C RESISTOR | 1kΩ 1/4W J | | | | | | N,5062S EV |
| R1128 | QRE141J-102Y | C RESISTOR | 1kΩ 1/4W J | | | | | | 5060BE, 5062SE, 5062SB, 5062SE |
| R1129 | QRE141J-183Y | C RESISTOR | 18kΩ 1/4W J | | | | | | N,5062S EV |
| R1130 | QRE141J-183Y | C RESISTOR | 18kΩ 1/4W J | | | | | | 5060BE, 5062SE, 5062SB, 5062SE |
| R1131 | QRE141J-473Y | C RESISTOR | 47kΩ 1/4W J | | △ R1372 | QRJ146J-3R9X | UNF C RESISTOR | 3.9Ω 1/4W J | |
| R1132 | QRE141J-473Y | C RESISTOR | 47kΩ 1/4W J | | | | | | 5060BE, 5062SE, 5062SB, 5062SE |
| △ R1133 | QRJ146J-101X | UNF C RESISTOR | 100Ω 1/4W J | | | | | | N,5062S EV |
| △ R1134 | QRJ146J-2R2X | UNF C RESISTOR | 2.2Ω 1/4W J | | | | | | 5060BE, 5062SE, 5062SB, 5062SE |
| △ R1135 | QRJ146J-2R2X | UNF C RESISTOR | 2.2Ω 1/4W J | | △ R1373 | QRJ146J-3R9X | UNF C RESISTOR | 3.9Ω 1/4W J | |
| △ R1136 | QRJ146J-2R2X | UNF C RESISTOR | 2.2Ω 1/4W J | | | | | | 5060BE, 5062SE, 5062SB, 5062SE |
| △ R1137 | QRJ146J-2R2X | UNF C RESISTOR | 2.2Ω 1/4W J | | | | | | N,5062S EV |
| R1141 | QRJ146J-330X | UNF C RESISTOR | 33Ω 1/4W J | | | | | | 5060BE, 5062SE, 5062SB, 5062SE |
| R1142 | QRJ146J-330X | UNF C RESISTOR | 33Ω 1/4W J | | △ R1374 | QRJ146J-3R9X | UNF C RESISTOR | 3.9Ω 1/4W J | |
| △ R1143 | QRL027J-100 | OMF RESISTOR | 10Ω 2W J | | | | | | 5060BE, 5062SE, 5062SB, 5062SE |
| △ R1144 | QRL027J-100 | OMF RESISTOR | 10Ω 2W J | | | | | | N,5062S EV |
| R1171 | QRE141J-104Y | C RESISTOR | 100kΩ 1/4W J | | | | | | |
| R1172 | QRE141J-823Y | C RESISTOR | 82kΩ 1/4W J | | L1141 | QQLZ005-R45 | COIL | 0.45uH | |
| R1173 | QRE141J-104Y | C RESISTOR | 100kΩ 1/4W J | | L1142 | QQLZ005-R45 | COIL | 0.45uH | |
| R1174 | QRE141J-104Y | C RESISTOR | 100kΩ 1/4W J | | L1241 | QQLZ005-R45 | COIL | 0.45uH | |
| R1175 | QRE141J-104Y | C RESISTOR | 100kΩ 1/4W J | | L1242 | QQLZ005-R45 | COIL | 0.45uH | |
| R1176 | QRE141J-104Y | C RESISTOR | 100kΩ 1/4W J | | L1269 | QQLZ005-R45 | COIL | 0.45uH | |
| R1177 | QRE141J-104Y | C RESISTOR | 100kΩ 1/4W J | | | | | | |
| R1178 | QRE141J-103Y | C RESISTOR | 10kΩ 1/4W J | | | | | | 5060BE, 5062SE, 5062SB, 5062SE |
| R1179 | QRE141J-103Y | C RESISTOR | 10kΩ 1/4W J | | L1351 | QQLZ005-R45 | COIL | 0.45uH | |
| R1185 | QRE141J-103Y | C RESISTOR | 10kΩ 1/4W J | | | | | | N,5062S EV |
| R1186 | QRE141J-104Y | C RESISTOR | 100kΩ 1/4W J | | | | | | 5060BE, 5062SE, 5062SB, 5062SE |
| △ R1191 | QRZ9005-680X | F.RES. I.M | 68Ω | | L1352 | QQLZ005-R45 | COIL | 0.45uH | |
| △ R1192 | QRJ146J-562X | UNF C RESISTOR | 5.6kΩ 1/4W J | | | | | | N,5062S EV |
| R1201 | QRE141J-102Y | C RESISTOR | 1kΩ 1/4W J | | | | | | 5060BE, 5062SE, 5062SB, 5062SE |
| R1202 | QRE141J-102Y | C RESISTOR | 1kΩ 1/4W J | | | | | | N,5062S EV |
| R1203 | QRE141J-104Y | C RESISTOR | 100kΩ 1/4W J | | L1353 | QQLZ005-R45 | COIL | 0.45uH | |
| R1204 | QRE141J-104Y | C RESISTOR | 100kΩ 1/4W J | | | | | | 5060BE, 5062SE, 5062SB, 5062SE |
| △ R1205 | QRJ146J-751X | UNF C RESISTOR | 750Ω 1/4W J | | | | | | N,5062S EV |
| △ R1206 | QRJ146J-751X | UNF C RESISTOR | 750Ω 1/4W J | | | | | | 5060BE, 5062SE, 5062SB, 5062SE |
| R1207 | QRE141J-104Y | C RESISTOR | 100kΩ 1/4W J | | L1354 | QQLZ005-R45 | COIL | 0.45uH | |
| R1208 | QRE141J-104Y | C RESISTOR | 100kΩ 1/4W J | | | | | | 5060BE, 5062SE, 5062SB, 5062SE |
| R1209 | QRE141J-333Y | C RESISTOR | 33kΩ 1/4W J | | | | | | N,5062S EV |
| R1210 | QRE141J-101Y | C RESISTOR | 100Ω 1/4W J | | | | | | 5060BE, 5062SE, 5062SB, 5062SE |
| △ R1221 | QRJ146J-471X | UNF C RESISTOR | 470Ω 1/4W J | | L1355 | QQLZ005-R45 | COIL | 0.45uH | |
| △ R1222 | QRJ146J-471X | UNF C RESISTOR | 470Ω 1/4W J | | | | | | N,5062S EV |
| △ R1223 | QRL017J-152 | OMF RESISTOR | 1.5kΩ 1W J | | | | | | |
| △ R1224 | QRL017J-152 | OMF RESISTOR | 1.5kΩ 1W J | | | | | | |
| △ R1225 | QRZ0224-R22 | EMIT.RESISTOR | 0.22Ω | | | | | | |
| △ R1226 | QRZ0224-R22 | EMIT.RESISTOR | 0.22Ω | | CN101 | QGD2504C1-03Z | CONNECTOR | (1-3) | |
| R1227 | QRE141J-102Y | C RESISTOR | 1kΩ 1/4W J | | CN151 | QJK012-051900-E | WIRE | | |
| R1228 | QRE141J-102Y | C RESISTOR | 1kΩ 1/4W J | | CN171 | QJP001-031801-E | SHI CR C-B WIRE | | |
| R1229 | QRE141J-183Y | C RESISTOR | 18kΩ 1/4W J | | CN272 | QJP002-021201-E | SHI CR C-B WIRE | | |
| R1230 | QRE141J-183Y | C RESISTOR | 18kΩ 1/4W J | | CN273 | QJP001-031001-E | SHI CR C-B WIRE | | |
| R1231 | QRE141J-473Y | C RESISTOR | 47kΩ 1/4W J | | CN401 | QGB2510K1-15 | CONNECTOR | B-B (1-15) | |
| R1232 | QRE141J-473Y | C RESISTOR | 47kΩ 1/4W J | | CN404 | QGA2501F1-03 | CONNECTOR | W-B (1-3) | |
| △ R1233 | QRJ146J-101X | UNF C RESISTOR | 100Ω 1/4W J | | CN451 | QGB2510K1-06 | CONNECTOR | B-B (1-6) | |
| △ R1234 | QRJ146J-2R2X | UNF C RESISTOR | 2.2Ω 1/4W J | | EP101 | QNZ0136-001Z | IM EARTH PLATE | | |
| | | | | | FW141 | QUM215-16DGZ3-E | WIRE | | |

| △ Symbol No. | Part No. | Part Name | Description | Local | △ Symbol No. | Part No. | Part Name | Description | Local |
|--------------|-----------------|-----------------|-------------|-------|--------------|-------------|-----------|-------------|--|
| FW301 | QUM215-26Z3Z3-E | PARA RIBON WIRE | | | D1404 | MTZJ5.6C-T2 | Z DIODE | | |
| FW302 | QUM216-26Z3Z3-E | PARA RIBON WIRE | | | D1405 | MTZJ11A-T2 | Z DIODE | | |
| FW303 | QUM214-26DGZ3-E | PARA RIBON WIRE | | | D1407 | MTZJ7.5C-T2 | Z DIODE | | |
| J101 | QNS0249-001 | JACK | | | D1408 | MTZJ7.5C-T2 | Z DIODE | | |
| J402 | QNN0478-001 | PIN JACK | | | D1409 | MA152WK-X | SI DIODE | | |
| J403 | QNN0478-001 | PIN JACK | | | | | | | 5060BE, 5062SE, 5062SB, 5062SE N,5062S EV |
| J404 | QNN0389-001 | PIN JACK | | | D1411 | 1SS355W-X | SI DIODE | | |
| J406 | QNN0480-001 | PIN JACK | | | | | | | |
| △ RY302 | QSK0127-001 | RELAY | | | D1412 | 1SS355W-X | SI DIODE | | |
| △ RY303 | QSK0127-001 | RELAY | | | D1413 | 1SS355W-X | SI DIODE | | |
| △ RY304 | QSK0127-001 | RELAY | | | D1414 | 1SS355W-X | SI DIODE | | |
| ST301 | QNB0188-001 | SPEAKER TERMINA | | | D1415 | 1SS355W-X | SI DIODE | | |
| TW301 | QUB230-05DMZ4-E | SIN TWIST WIRE | | | | | | | |

Front board

Block No. [0][3]

| △ Symbol No. | Part No. | Part Name | Description | Local | △ Symbol No. | Part No. | Part Name | Description | Local |
|--------------|-----------------|-----------------|-------------|--|--------------|--------------|----------------|---------------|--|
| PW502 | QUB220-12DMHP-E | SIN TWIST WIRE | | 5060BE, 5062SE, 5062SB, 5062SE N,5062S EV | C701 | QEKCOJM-107Z | E CAPACITOR | 100uF 6.3V M | |
| IC422 | NJM4565M-WE | IC | | | C702 | QCZ0202-155Z | C CAPACITOR | 1.5uF 25V Z | |
| IC427 | NJM4565M-WE | IC | | | C703 | QEKCH1M-225Z | E CAPACITOR | 2.2uF 50V M | |
| IC428 | BD3814FV-X | IC | | | C704 | NCB31CK-223X | C CAPACITOR | 0.022uF 16V K | |
| IC701 | MN101C88GPA | IC | | 5060BJ, 5060BC | C705 | QEKCOJM-107Z | E CAPACITOR | 100uF 6.3V M | |
| IC701 | MN101C88GPC | IC | | 5060BE, 5062SE, 5062SB, 5062SE N,5062S EV | C706 | NCB21HK-331X | C CAPACITOR | 330pF 50V K | 5060BJ, 5060BC |
| IC702 | IC-PST9139-T | IC | | | C707 | QEKCH1M-475Z | E CAPACITOR | 4.7uF 50V M | |
| IC703 | GP1UM281XKVF | IR DETECT UNIT | | | C708 | QEKCH1M-475Z | E CAPACITOR | 4.7uF 50V M | |
| IC704 | BR24L02F-W-X | IC | | | C709 | QEKCH1M-475Z | E CAPACITOR | 4.7uF 50V M | |
| Q701 | KRC107S-X | DIGI TRANSISTOR | | | C710 | NCB21HK-104X | C CAPACITOR | 0.1uF 50V K | 5060BE, 5062SE, 5062SB, 5062SE N,5062S EV |
| Q702 | KRC111S-X | TRANSISTOR | | 5060BJ, 5060BC | C713 | NCB21HK-103X | C CAPACITOR | 0.01uF 50V K | |
| Q703 | KRC109S-X | TRANSISTOR | | 5060BJ, 5060BC | C714 | NCB21HK-103X | C CAPACITOR | 0.01uF 50V K | |
| Q707 | KRC107S-X | DIGI TRANSISTOR | | | C715 | NCB21HK-103X | C CAPACITOR | 0.01uF 50V K | |
| Q708 | KRC107S-X | DIGI TRANSISTOR | | | C716 | NCB21HK-103X | C CAPACITOR | 0.01uF 50V K | |
| Q709 | KRC107S-X | DIGI TRANSISTOR | | | C717 | NCB21HK-103X | C CAPACITOR | 0.01uF 50V K | |
| Q711 | KRA104S-X | DIGI TRANSISTOR | | | C718 | NCB21HK-103X | C CAPACITOR | 0.01uF 50V K | |
| △ Q1401 | KTA1046/Y/ | TRANSISTOR * | | | C719 | NCB21HK-103X | C CAPACITOR | 0.01uF 50V K | |
| △ Q1402 | 2SD2394/EF/ | TRANSISTOR | | | C720 | NCB31CK-104X | C CAPACITOR | 0.1uF 16V K | |
| △ Q1403 | 2SD2394/EF/ | TRANSISTOR | | | C721 | NCB31CK-104X | C CAPACITOR | 0.1uF 16V K | |
| △ Q1404 | 2SD2394/EF/ | TRANSISTOR | | | C722 | QCZ0202-155Z | C CAPACITOR | 1.5uF 25V Z | |
| △ Q1407 | KTC3203/OY/-T | TRANSISTOR | | | C723 | NCB31CK-104X | C CAPACITOR | 0.1uF 16V K | |
| △ Q1408 | KTA1271/OY/-T | TRANSISTOR | | | C724 | NCB31CK-104X | C CAPACITOR | 0.1uF 16V K | |
| Q1413 | 2SC3576-JVC-T | TRANSISTOR | | | C725 | QEKCH1M-475Z | E CAPACITOR | 4.7uF 50V M | |
| Q1414 | 2SC3576-JVC-T | TRANSISTOR | | | C730 | NCB31CK-104X | C CAPACITOR | 0.1uF 16V K | |
| Q1417 | 2SC3576-JVC-T | TRANSISTOR | | | C731 | NCB21HK-104X | C CAPACITOR | 0.1uF 50V K | 5060BE, 5062SE, 5062SB, 5062SE N,5062S EV |
| Q1418 | 2SC3576-JVC-T | TRANSISTOR | | | C732 | NCB31CK-104X | C CAPACITOR | 0.1uF 16V K | |
| Q1419 | 2SC3576-JVC-T | TRANSISTOR | | | C733 | NCB31HK-103X | C CAPACITOR | 0.01uF 50V K | |
| Q1420 | KRA104M-T | DIGI TRANSISTOR | | | C734 | NCB31HK-104X | C CAPACITOR | 0.1uF 50V K | |
| Q1421 | 2SC3576-JVC-T | TRANSISTOR | | | C735 | NCB31HK-104X | C CAPACITOR | 0.1uF 50V K | |
| Q1422 | 2SC3576-JVC-T | TRANSISTOR | | | C736 | NCB31HK-104X | C CAPACITOR | 0.1uF 50V K | |
| Q1423 | KRA104M-T | DIGI TRANSISTOR | | | C1401 | QETN1HM-476Z | E CAPACITOR | 47uF 50V M | |
| Q1424 | KRA104M-T | DIGI TRANSISTOR | | | C1402 | QETN1EM-107Z | E CAPACITOR | 100uF 25V M | |
| Q1426 | 2SC3576-JVC-T | TRANSISTOR | | | C1403 | QETN1EM-107Z | E CAPACITOR | 100uF 25V M | |
| Q1427 | 2SC3576-JVC-T | TRANSISTOR | | | C1404 | QETN1EM-107Z | E CAPACITOR | 100uF 25V M | |
| Q1428 | 2SC3576-JVC-T | TRANSISTOR | | | C1405 | QETN1EM-107Z | E CAPACITOR | 100uF 25V M | |
| Q1429 | KRA104M-T | DIGI TRANSISTOR | | | C1406 | QETN1CM-108Z | E CAPACITOR | 1000uF 16V M | |
| △ Q1434 | 2SD2394/EF/ | TRANSISTOR | | | C1408 | QETN1EM-476Z | E CAPACITOR | 47uF 25V M | |
| △ Q1435 | 2SD2394/EF/ | TRANSISTOR | | | C1409 | QETN1EM-476Z | E CAPACITOR | 47uF 25V M | |
| D701 | 1SS355W-X | SI DIODE | | | C1413 | QEKCH1M-475Z | E CAPACITOR | 4.7uF 50V M | |
| D703 | 1SS355W-X | SI DIODE | | | C1414 | QEKCH1M-475Z | E CAPACITOR | 4.7uF 50V M | |
| D704 | 1SS355W-X | SI DIODE | | | C1416 | NCB31CK-223X | C CAPACITOR | 0.022uF 16V K | |
| D719 | SLR-343VC/NPQ-T | LED | | | C1417 | NCB31CK-223X | C CAPACITOR | 0.022uF 16V K | |
| D1401 | MTZJ11A-T2 | Z DIODE | | | C1422 | QEKCH1M-475Z | E CAPACITOR | 4.7uF 50V M | |
| D1402 | MTZJ6.2C-T2 | Z DIODE | | | C1423 | QEKCH1M-475Z | E CAPACITOR | 4.7uF 50V M | |
| D1403 | MTZJ5.6B-T2 | Z DIODE | | | C1424 | QEKCH1M-475Z | E CAPACITOR | 4.7uF 50V M | |
| | | | | | C1425 | QEKCH1M-106Z | E CAPACITOR | 10uF 25V M | |
| | | | | | C1432 | NCB31CK-223X | C CAPACITOR | 0.022uF 16V K | |
| | | | | | C1433 | QEKCH1M-106Z | E CAPACITOR | 10uF 25V M | |
| | | | | | C1436 | NCB31CK-223X | C CAPACITOR | 0.022uF 16V K | |
| | | | | | C1437 | QCZ0202-155Z | C CAPACITOR | 1.5uF 25V Z | |
| | | | | | C1447 | QEKCH1M-475Z | E CAPACITOR | 4.7uF 50V M | |
| | | | | | C1459 | QEKCH1M-475Z | E CAPACITOR | 4.7uF 50V M | |
| | | | | | C1460 | NCB31CK-223X | C CAPACITOR | 0.022uF 16V K | |
| | | | | | C1461 | NCB31CK-223X | C CAPACITOR | 0.022uF 16V K | |
| | | | | | C1465 | QENC1HM-106Z | BP E CAPACITOR | 10uF 50V M | |
| | | | | | C1480 | QETN1VM-477Z | E CAPACITOR | 470uF 35V M | |

| △ Symbol No. | Part No. | Part Name | Description | Local | △ Symbol No. | Part No. | Part Name | Description | Local |
|--------------|--------------|-------------|---------------|--|--------------|--------------|----------------|---------------|--|
| R701 | NRSA63J-472X | MG RESISTOR | 4.7kΩ 1/16W J | | R783 | NRSA63J-221X | MG RESISTOR | 220Ω 1/16W J | |
| R702 | NRSA63J-223X | MG RESISTOR | 22kΩ 1/16W J | | R784 | NRSA63J-221X | MG RESISTOR | 220Ω 1/16W J | |
| R704 | NRSA63J-471X | MG RESISTOR | 470Ω 1/16W J | 5060BJ, 5060BC | R785 | NRSA63J-221X | MG RESISTOR | 220Ω 1/16W J | |
| R705 | NRSA63J-103X | MG RESISTOR | 10kΩ 1/16W J | | R786 | NRSA63J-221X | MG RESISTOR | 220Ω 1/16W J | |
| R706 | NRSA63J-103X | MG RESISTOR | 10kΩ 1/16W J | | R787 | NRSA63J-221X | MG RESISTOR | 220Ω 1/16W J | |
| R707 | NRSA63J-0R0X | MG RESISTOR | 0Ω 1/16W J | | R788 | NRSA63J-221X | MG RESISTOR | 220Ω 1/16W J | |
| R709 | NRSA63J-103X | MG RESISTOR | 10kΩ 1/16W J | | R789 | NRSA63J-103X | MG RESISTOR | 10kΩ 1/16W J | |
| R710 | NRSA63J-103X | MG RESISTOR | 10kΩ 1/16W J | | R790 | NRSA63J-103X | MG RESISTOR | 10kΩ 1/16W J | |
| R711 | NRSA63J-104X | MG RESISTOR | 100kΩ 1/16W J | | R791 | NRSA63J-221X | MG RESISTOR | 220Ω 1/16W J | |
| R712 | NRSA63J-103X | MG RESISTOR | 10kΩ 1/16W J | | R792 | NRSA63J-221X | MG RESISTOR | 220Ω 1/16W J | |
| R713 | NRSA63J-103X | MG RESISTOR | 10kΩ 1/16W J | | | | | | 5060BE, 5062SE, 5062SB, 5062SE N,5062S EV |
| R715 | NRSA63J-103X | MG RESISTOR | 10kΩ 1/16W J | | R793 | NRSA63J-103X | MG RESISTOR | 10kΩ 1/16W J | |
| R716 | NRSA63J-103X | MG RESISTOR | 10kΩ 1/16W J | | | | | | |
| R717 | NRSA63J-103X | MG RESISTOR | 10kΩ 1/16W J | | R794 | NRSA63J-221X | MG RESISTOR | 220Ω 1/16W J | |
| R718 | NRSA63J-103X | MG RESISTOR | 10kΩ 1/16W J | | R795 | NRSA63J-221X | MG RESISTOR | 220Ω 1/16W J | |
| R719 | NRSA63J-221X | MG RESISTOR | 220Ω 1/16W J | | R796 | NRSA63J-221X | MG RESISTOR | 220Ω 1/16W J | |
| R721 | NRSA63J-103X | MG RESISTOR | 10kΩ 1/16W J | | R797 | NRSA63J-221X | MG RESISTOR | 220Ω 1/16W J | |
| R722 | NRSA63J-102X | MG RESISTOR | 1kΩ 1/16W J | | R798 | NRSA63J-221X | MG RESISTOR | 220Ω 1/16W J | |
| R723 | NRSA63J-102X | MG RESISTOR | 1kΩ 1/16W J | | R799 | NRSA63J-221X | MG RESISTOR | 220Ω 1/16W J | |
| R724 | NRSA63J-122X | MG RESISTOR | 1.2kΩ 1/16W J | | R874 | NRSA63J-103X | MG RESISTOR | 10kΩ 1/16W J | |
| R725 | NRSA63J-152X | MG RESISTOR | 1.5kΩ 1/16W J | | R875 | NRSA63J-103X | MG RESISTOR | 10kΩ 1/16W J | |
| R726 | NRSA63J-222X | MG RESISTOR | 2.2kΩ 1/16W J | | R876 | NRSA63J-103X | MG RESISTOR | 10kΩ 1/16W J | |
| R727 | NRSA63J-272X | MG RESISTOR | 2.7kΩ 1/16W J | | R877 | NRSA63J-103X | MG RESISTOR | 10kΩ 1/16W J | |
| R728 | NRSA63J-103X | MG RESISTOR | 10kΩ 1/16W J | | R878 | NRSA63J-103X | MG RESISTOR | 10kΩ 1/16W J | |
| R729 | NRSA63J-102X | MG RESISTOR | 1kΩ 1/16W J | | R879 | NRSA63J-221X | MG RESISTOR | 220Ω 1/16W J | |
| R730 | NRSA63J-102X | MG RESISTOR | 1kΩ 1/16W J | | R880 | NRSA63J-221X | MG RESISTOR | 220Ω 1/16W J | |
| R731 | NRSA63J-122X | MG RESISTOR | 1.2kΩ 1/16W J | | R881 | NRSA63J-221X | MG RESISTOR | 220Ω 1/16W J | |
| R732 | NRSA63J-152X | MG RESISTOR | 1.5kΩ 1/16W J | | R882 | NRSA63J-221X | MG RESISTOR | 220Ω 1/16W J | |
| R733 | NRSA63J-222X | MG RESISTOR | 2.2kΩ 1/16W J | | R883 | NRSA63J-221X | MG RESISTOR | 220Ω 1/16W J | |
| R734 | NRSA63J-272X | MG RESISTOR | 2.7kΩ 1/16W J | | R884 | NRSA63J-221X | MG RESISTOR | 220Ω 1/16W J | |
| R736 | NRSA63J-103X | MG RESISTOR | 10kΩ 1/16W J | | △ R1401 | QRZ9005-100X | FUSI RESISTOR | 10Ω | |
| R737 | NRSA63J-102X | MG RESISTOR | 1kΩ 1/16W J | | △ R1402 | QRJ146J-182X | UNF C RESISTOR | 1.8kΩ 1/4W J | |
| R738 | NRSA63J-102X | MG RESISTOR | 1kΩ 1/16W J | | △ R1403 | QRZ9005-120X | F B RESISTOR | 12Ω | |
| R739 | NRSA63J-122X | MG RESISTOR | 1.2kΩ 1/16W J | | △ R1404 | QRJ146J-272X | UNF C RESISTOR | 2.7kΩ 1/4W J | |
| R740 | NRSA63J-152X | MG RESISTOR | 1.5kΩ 1/16W J | | △ R1405 | QRZ9005-120X | F B RESISTOR | 12Ω | |
| R741 | NRSA63J-222X | MG RESISTOR | 2.2kΩ 1/16W J | | △ R1406 | QRK126J-682X | UNF C RESISTOR | 6.8kΩ 1/2W J | |
| R742 | NRSA63J-272X | MG RESISTOR | 2.7kΩ 1/16W J | | △ R1407 | QRZ9006-4R7X | FUSI RESISTOR | 4.7Ω | |
| R743 | NRSA63J-103X | MG RESISTOR | 10kΩ 1/16W J | | △ R1408 | QRZ9006-4R7X | FUSI RESISTOR | 4.7Ω | |
| R744 | NRSA63J-102X | MG RESISTOR | 1kΩ 1/16W J | | △ R1409 | QRJ146J-272X | UNF C RESISTOR | 2.7kΩ 1/4W J | |
| R745 | NRSA63J-102X | MG RESISTOR | 1kΩ 1/16W J | | △ R1410 | QRZ9006-4R7X | FUSI RESISTOR | 4.7Ω | |
| R746 | NRSA63J-122X | MG RESISTOR | 1.2kΩ 1/16W J | | △ R1411 | QRJ146J-182X | UNF C RESISTOR | 1.8kΩ 1/4W J | |
| R747 | NRSA63J-152X | MG RESISTOR | 1.5kΩ 1/16W J | | △ R1412 | QRZ9005-100X | FUSI RESISTOR | 10Ω | |
| R748 | NRSA63J-222X | MG RESISTOR | 2.2kΩ 1/16W J | | △ R1414 | QRZ9005-100X | FUSI RESISTOR | 10Ω | |
| R749 | NRSA63J-272X | MG RESISTOR | 2.7kΩ 1/16W J | | △ R1415 | QRJ146J-222X | UNF C RESISTOR | 2.2kΩ 1/4W J | |
| R750 | NRSA63J-103X | MG RESISTOR | 10kΩ 1/16W J | | △ R1416 | QRZ9005-100X | FUSI RESISTOR | 10Ω | |
| R751 | NRSA63J-102X | MG RESISTOR | 1kΩ 1/16W J | | △ R1417 | QRJ146J-222X | UNF C RESISTOR | 2.2kΩ 1/4W J | |
| R752 | NRSA63J-102X | MG RESISTOR | 1kΩ 1/16W J | | △ R1418 | QRZ9005-680X | F.RES. I.M | 68Ω | |
| R753 | NRSA63J-122X | MG RESISTOR | 1.2kΩ 1/16W J | | △ R1419 | QRZ9005-680X | F.RES. I.M | 68Ω | |
| R754 | NRSA63J-103X | MG RESISTOR | 10kΩ 1/16W J | | R1423 | NRSA63J-102X | MG RESISTOR | 1kΩ 1/16W J | |
| R756 | NRSA63J-103X | MG RESISTOR | 10kΩ 1/16W J | | R1424 | NRSA63J-102X | MG RESISTOR | 1kΩ 1/16W J | |
| R757 | NRSA63J-103X | MG RESISTOR | 10kΩ 1/16W J | | R1425 | NRSA63J-102X | MG RESISTOR | 1kΩ 1/16W J | |
| R758 | NRSA63J-103X | MG RESISTOR | 10kΩ 1/16W J | | R1426 | NRSA63J-102X | MG RESISTOR | 1kΩ 1/16W J | |
| R759 | NRSA63J-103X | MG RESISTOR | 10kΩ 1/16W J | | | | | | 5060BE, 5062SE, 5062SB, 5062SE N,5062S EV |
| R760 | NRSA63J-103X | MG RESISTOR | 10kΩ 1/16W J | | | | | | 5060BE, 5062SE, 5062SB, 5062SE N,5062S EV |
| R761 | NRSA63J-103X | MG RESISTOR | 10kΩ 1/16W J | | R1430 | NRSA63J-102X | MG RESISTOR | 1kΩ 1/16W J | |
| R762 | NRSA63J-102X | MG RESISTOR | 1kΩ 1/16W J | | | | | | |
| | | | | 5060BE, 5062SE, 5062SB, 5062SE N,5062S EV | | | | | |
| R763 | NRSA63J-102X | MG RESISTOR | 1kΩ 1/16W J | | R1432 | NRSA63J-102X | MG RESISTOR | 1kΩ 1/16W J | |
| R768 | NRSA63J-103X | MG RESISTOR | 10kΩ 1/16W J | | R1435 | NRSA63J-104X | MG RESISTOR | 100kΩ 1/16W J | |
| R769 | NRSA63J-102X | MG RESISTOR | 1kΩ 1/16W J | | R1436 | NRSA63J-104X | MG RESISTOR | 100kΩ 1/16W J | |
| R770 | NRSA63J-102X | MG RESISTOR | 1kΩ 1/16W J | 5060BC | R1437 | NRSA63J-102X | MG RESISTOR | 1kΩ 1/16W J | |
| R773 | NRSA63J-103X | MG RESISTOR | 10kΩ 1/16W J | | R1438 | NRSA63J-102X | MG RESISTOR | 1kΩ 1/16W J | |
| R774 | NRSA63J-103X | MG RESISTOR | 10kΩ 1/16W J | | R1439 | NRSA63J-103X | MG RESISTOR | 10kΩ 1/16W J | |
| R775 | NRSA63J-103X | MG RESISTOR | 10kΩ 1/16W J | | R1440 | NRSA63J-103X | MG RESISTOR | 10kΩ 1/16W J | |
| R778 | NRSA63J-392X | MG RESISTOR | 3.9kΩ 1/16W J | | R1444 | NRSA63J-103X | MG RESISTOR | 10kΩ 1/16W J | |
| R779 | NRSA63J-103X | MG RESISTOR | 10kΩ 1/16W J | | R1445 | NRSA63J-102X | MG RESISTOR | 1kΩ 1/16W J | |
| R780 | NRSA63J-103X | MG RESISTOR | 10kΩ 1/16W J | | R1446 | NRSA63J-104X | MG RESISTOR | 100kΩ 1/16W J | |
| | | | | 5060BE, 5062SE, 5062SB, 5062SE N,5062S EV | R1447 | NRSA63J-102X | MG RESISTOR | 1kΩ 1/16W J | |
| R781 | NRSA63J-221X | MG RESISTOR | 220Ω 1/16W J | | R1448 | NRSA63J-103X | MG RESISTOR | 10kΩ 1/16W J | |
| | | | | 5060BE, 5062SE, 5062SB, 5062SE N,5062S EV | R1449 | NRSA63J-102X | MG RESISTOR | 1kΩ 1/16W J | |
| R782 | NRSA63J-221X | MG RESISTOR | 220Ω 1/16W J | | R1450 | NRSA63J-103X | MG RESISTOR | 10kΩ 1/16W J | |
| | | | | 5060BE, 5062SE, 5062SB, 5062SE N,5062S EV | R1451 | NRSA63J-104X | MG RESISTOR | 100kΩ 1/16W J | |
| | | | | | R1452 | NRSA63J-104X | MG RESISTOR | 100kΩ 1/16W J | |
| | | | | | R1453 | NRSA63J-102X | MG RESISTOR | 1kΩ 1/16W J | |
| | | | | | △ R1461 | QRJ146J-2R2X | UNF C RESISTOR | 2.2Ω 1/4W J | |

| △ Symbol No. | Part No. | Part Name | Description | Local |
|--------------|----------------|----------------|---------------|-------|
| △ R1462 | QRJ146J-2R2X | UNF C RESISTOR | 2.2Ω 1/4W J | |
| R1464 | NRSA63J-104X | MG RESISTOR | 100kΩ 1/16W J | |
| R1470 | NRSA63J-201X | MG RESISTOR | 200Ω 1/16W J | |
| R1471 | NRSA63J-201X | MG RESISTOR | 200Ω 1/16W J | |
| R1472 | NRSA63J-103X | MG RESISTOR | 10kΩ 1/16W J | |
| R1473 | NRSA63J-103X | MG RESISTOR | 10kΩ 1/16W J | |
| R1474 | NRSA63J-102X | MG RESISTOR | 1kΩ 1/16W J | |
| R1475 | NRSA63J-163X | MG RESISTOR | 16kΩ 1/16W J | |
| R1476 | NRSA63J-103X | MG RESISTOR | 10kΩ 1/16W J | |
| △ R1477 | QRZ9006-4R7X | FUSI RESISTOR | 4.7Ω | |
| R1480 | NRSA63J-104X | MG RESISTOR | 100kΩ 1/16W J | |
| R1481 | NRSA63J-104X | MG RESISTOR | 100kΩ 1/16W J | |
| R1482 | NRSA63J-104X | MG RESISTOR | 100kΩ 1/16W J | |
| R1483 | NRSA63J-562X | MG RESISTOR | 5.6kΩ 1/16W J | |
| R1484 | NRSA63J-473X | MG RESISTOR | 47kΩ 1/16W J | |
| R1485 | NRSA63J-202X | MG RESISTOR | 2kΩ 1/16W J | |
| R1486 | NRSA63J-473X | MG RESISTOR | 47kΩ 1/16W J | |
| R1487 | NRSA63J-103X | MG RESISTOR | 10kΩ 1/16W J | |
| R1488 | NRSA63J-103X | MG RESISTOR | 10kΩ 1/16W J | |
| R1489 | NRSA63J-202X | MG RESISTOR | 2kΩ 1/16W J | |
| R1490 | NRSA63J-133X | MG RESISTOR | 13kΩ 1/16W J | |
| R1491 | NRSA63J-473X | MG RESISTOR | 47kΩ 1/16W J | |
| R1492 | NRSA63J-102X | MG RESISTOR | 1kΩ 1/16W J | |
| R1494 | NRSA63J-102X | MG RESISTOR | 1kΩ 1/16W J | |
| R1496 | NRSA63J-332X | MG RESISTOR | 3.3kΩ 1/16W J | |
| R1498 | NRSA63J-511X | MG RESISTOR | 510Ω 1/16W J | |
| R1499 | NRSA63J-511X | MG RESISTOR | 510Ω 1/16W J | |
| R1500 | NRSA63J-474X | MG RESISTOR | 470kΩ 1/16W J | |
| R1571 | NRSA63J-0R0X | MG RESISTOR | 0Ω 1/16W J | |
| R1572 | NRSA63J-0R0X | MG RESISTOR | 0Ω 1/16W J | |
| R1575 | NRSA63J-0R0X | MG RESISTOR | 0Ω 1/16W J | |
| R1576 | NRSA63J-0R0X | MG RESISTOR | 0Ω 1/16W J | |
| R1579 | NRSA63J-0R0X | MG RESISTOR | 0Ω 1/16W J | |
| R1580 | NRSA63J-0R0X | MG RESISTOR | 0Ω 1/16W J | |
| R1583 | NRSA63J-511X | MG RESISTOR | 510Ω 1/16W J | |
| R1584 | NRSA63J-511X | MG RESISTOR | 510Ω 1/16W J | |
| BK701 | LV42093-001A | FL HOLDER(L) | | |
| BK702 | LV42092-001A | FL HOLDER(R) | | |
| CN421 | QGB2510J1-15 | CONNECTOR | B-B (1-15) | |
| CN431 | QGB2510J1-06 | CONNECTOR | B-B (1-6) | |
| CN441 | QGB2510J1-06 | CONNECTOR | B-B (1-6) | |
| CN471 | QGA2501C3-03Z | CONNECTOR | W-B (1-3) | |
| CN472 | QGA2501C1-02 | CONNECTOR | W-B (1-2) | |
| CN473 | QGA2501C3-03Z | CONNECTOR | W-B (1-3) | |
| CN481 | QGB2510J1-14 | CONNECTOR | B-B (1-14) | |
| CN482 | QGB2510J1-07 | CONNECTOR | B-B (1-7) | |
| CN491 | QGB2510J1-04 | CONNECTOR | B-B (1-4) | |
| CN704 | WJS0020-002A-E | SKT.WIRE ASSY | | |
| CN714 | QGA2001F1-03 | CONNECTOR | W-B (1-3) | |
| DI701 | QLF0132-001 | FL TUBE | | |
| EP401 | QNZ0136-001Z | IM EARTH PLATE | | |
| EP402 | QNZ0136-001Z | IM EARTH PLATE | | |
| HS401 | E70306-001 | HEAT SINK | | |
| HS402 | E70306-001 | HEAT SINK | | |
| HS403 | E70306-001 | HEAT SINK | | |
| HS404 | E70306-001 | HEAT SINK | | |
| HS434 | E70306-001 | HEAT SINK | | |
| HS435 | E70306-001 | HEAT SINK | | |
| JS701 | QSW1017-002 | JOG VOLUME | | |
| JS702 | QSW1051-001 | ROTARY ENCODER | | |
| S721 | QSW0683-001Z | PUSH SW I.M | | |
| S722 | QSW0683-001Z | PUSH SW I.M | | |
| S723 | QSW0683-001Z | PUSH SW I.M | | |
| S724 | QSW0683-001Z | PUSH SW I.M | | |
| S725 | QSW0683-001Z | PUSH SW I.M | | |
| S726 | QSW0683-001Z | PUSH SW I.M | | |
| S727 | QSW0683-001Z | PUSH SW I.M | | |
| S728 | QSW0683-001Z | PUSH SW I.M | | |
| S729 | QSW0683-001Z | PUSH SW I.M | | |
| S730 | QSW0683-001Z | PUSH SW I.M | | |
| S731 | QSW0683-001Z | PUSH SW I.M | | |
| S732 | QSW0683-001Z | PUSH SW I.M | | |
| S734 | QSW0683-001Z | PUSH SW I.M | | |
| S735 | QSW0683-001Z | PUSH SW I.M | | |
| S736 | QSW0683-001Z | PUSH SW I.M | | |
| S738 | QSW0683-001Z | PUSH SW I.M | | |
| S739 | QSW0683-001Z | PUSH SW I.M | | |

| △ Symbol No. | Part No. | Part Name | Description | Local |
|--------------|--------------|-------------|-------------|-------|
| S740 | QSW0683-001Z | PUSH SW I.M | | |
| S741 | QSW0683-001Z | PUSH SW I.M | | |
| S742 | QSW0683-001Z | PUSH SW I.M | | |
| S743 | QSW0683-001Z | PUSH SW I.M | | |
| S745 | QSW0683-001Z | PUSH SW I.M | | |
| S746 | QSW0683-001Z | PUSH SW I.M | | |
| S750 | QSW0683-001Z | PUSH SW I.M | | |
| S751 | QSW0683-001Z | PUSH SW I.M | | |
| S752 | QSW0683-001Z | PUSH SW I.M | | |
| S757 | QSW0683-001Z | PUSH SW I.M | | |
| X701 | QAX0246-001Z | RESONATOR | | |

DSP board

Block No. [0][4]

| △ Symbol No. | Part No. | Part Name | Description | Local |
|--------------|-----------------|-----------------|--------------|-------|
| IC601 | NJM4565M-WE | IC | | |
| IC602 | NJM4565M-WE | IC | | |
| IC611 | NJM4565M-WE | IC | | |
| IC612 | NJM4565M-WE | IC | | |
| IC613 | NJM4565M-WE | IC | | |
| IC615 | NJM4565M-WE | IC | | |
| IC622 | NJM4565M-WE | IC | | |
| IC631 | NJM2120M-X | IC | | |
| IC632 | NJM4565M-WE | IC | | |
| IC633 | NJM4565M-WE | IC | | |
| IC634 | NJM4565M-WE | IC | | |
| IC661 | DSPC56371AF180 | IC | | |
| IC662 | SN74LVC1GU04K-X | IC | | |
| IC667 | CS42518-CQZ-C-W | IC | | |
| IC671 | UPD784215AGC284 | IC | | |
| IC672 | SN74AHCT1G32K-X | IC | | |
| IC673 | SN74LVC1G04K-X | IC | | |
| IC691 | BA3259HFP-W | IC | | |
| Q2101 | 2SD2114K/VW/-X | TRANSISTOR | | |
| Q2102 | 2SD2114K/VW/-X | TRANSISTOR | | |
| Q2141 | 2SC3928A/RS/-X | TRANSISTOR | | |
| Q2142 | 2SC3928A/RS/-X | TRANSISTOR | | |
| Q2201 | 2SD2114K/VW/-X | TRANSISTOR | | |
| Q2202 | 2SD2114K/VW/-X | TRANSISTOR | | |
| Q2221 | 2SD2114K/VW/-X | TRANSISTOR | | |
| Q2222 | 2SD2114K/VW/-X | TRANSISTOR | | |
| Q2301 | 2SD2114K/VW/-X | TRANSISTOR | | |
| Q2341 | 2SC3928A/RS/-X | TRANSISTOR | | |
| Q2401 | 2SD2114K/VW/-X | TRANSISTOR | | |
| Q2421 | 2SD2114K/VW/-X | TRANSISTOR | | |
| Q2701 | KRC107S-X | DIGI TRANSISTOR | | |
| Q2702 | KRC107S-X | DIGI TRANSISTOR | | |
| Q2703 | KRC107S-X | DIGI TRANSISTOR | | |
| Q2704 | KRA107S-X | TRANSISTOR | | |
| Q2705 | KRA107S-X | TRANSISTOR | | |
| Q2706 | KRA107S-X | TRANSISTOR | | |
| Q2708 | KRA107S-X | TRANSISTOR | | |
| Q2709 | KRA107S-X | TRANSISTOR | | |
| Q2710 | KRC107S-X | DIGI TRANSISTOR | | |
| C2001 | QEK1HM-475Z | E CAPACITOR | 4.7uF 50V M | |
| C2002 | QEK1HM-475Z | E CAPACITOR | 4.7uF 50V M | |
| C2005 | NDC31HJ-330X | C CAPACITOR | 33pF 50V J | |
| C2006 | NDC31HJ-330X | C CAPACITOR | 33pF 50V J | |
| C2009 | NCF31CZ-104X | C CAPACITOR | 0.1uF 16V Z | |
| C2010 | NCF31CZ-104X | C CAPACITOR | 0.1uF 16V Z | |
| C2013 | NDC31HJ-330X | C CAPACITOR | 33pF 50V J | |
| C2014 | NDC31HJ-330X | C CAPACITOR | 33pF 50V J | |
| C2018 | QETN1EM-476Z | E CAPACITOR | 47uF 25V M | |
| C2019 | NCF31CZ-104X | C CAPACITOR | 0.1uF 16V Z | |
| C2020 | NCF31CZ-104X | C CAPACITOR | 0.1uF 16V Z | |
| C2101 | NCB31HK-102X | C CAPACITOR | 1000pF 50V K | |
| C2102 | NCB31HK-102X | C CAPACITOR | 1000pF 50V K | |
| C2109 | QETN1HM-226Z | E CAPACITOR | 22uF 50V M | |
| C2110 | QETN1HM-226Z | E CAPACITOR | 22uF 50V M | |
| C2111 | NCF31CZ-104X | C CAPACITOR | 0.1uF 16V Z | |

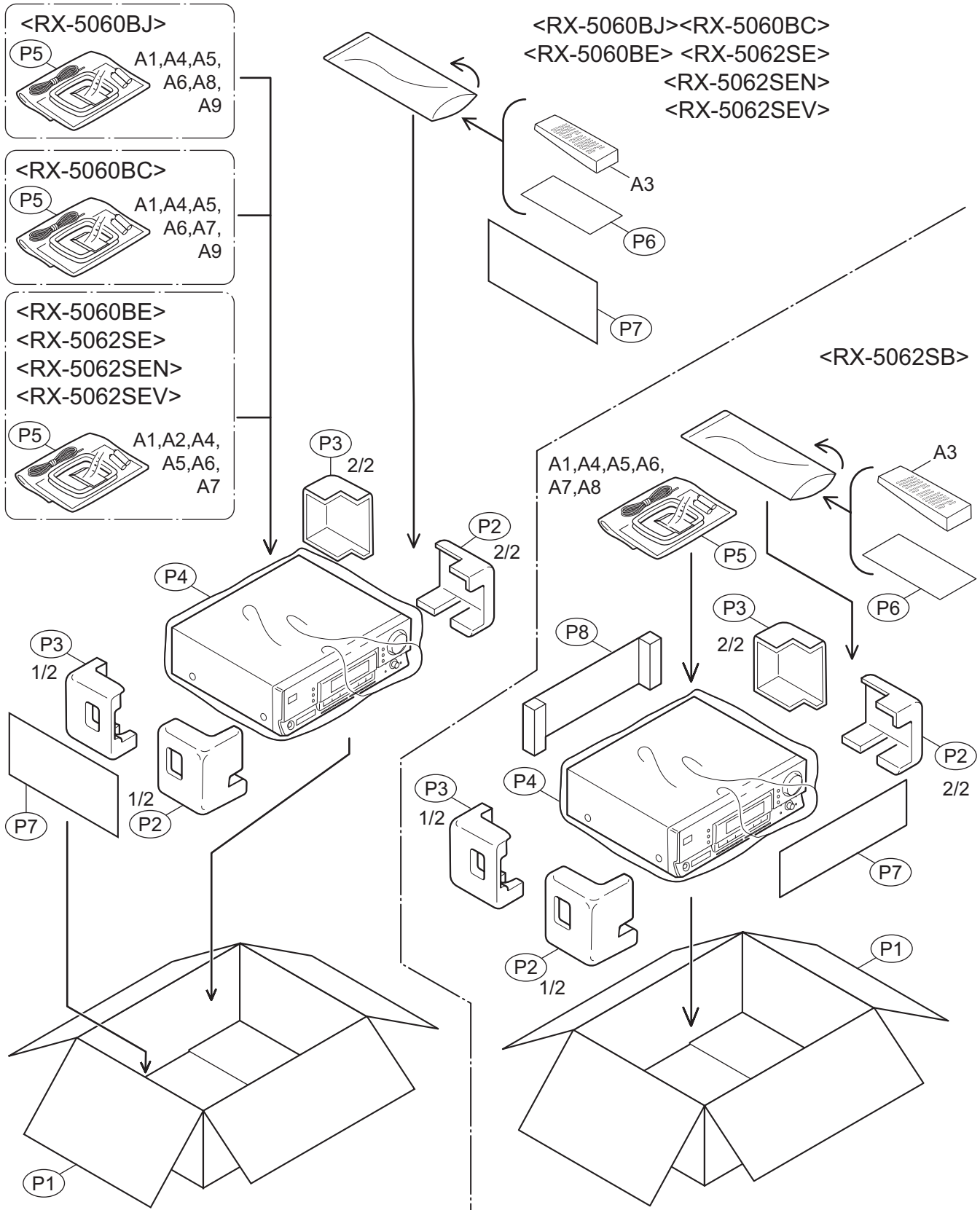
| △ Symbol No. | Part No. | Part Name | Description | Local | △ Symbol No. | Part No. | Part Name | Description | Local |
|--------------|--------------|-------------|---------------|-------|--------------|--------------|-------------|---------------|-------|
| C2112 | NCF31CZ-104X | C CAPACITOR | 0.1uF 16V Z | | C2641 | NDC31HJ-100X | C CAPACITOR | 10pF 50V J | |
| C2113 | NCB31HK-331X | C CAPACITOR | 330pF 50V K | | C2642 | NDC31HJ-100X | C CAPACITOR | 10pF 50V J | |
| C2114 | NCB31HK-331X | C CAPACITOR | 330pF 50V K | | C2643 | NCF31CZ-104X | C CAPACITOR | 0.1uF 16V Z | |
| C2115 | NCB31HK-272X | C CAPACITOR | 2700pF 50V K | | C2671 | QEKC1EM-106Z | E CAPACITOR | 10uF 25V M | |
| C2116 | NCB31HK-272X | C CAPACITOR | 2700pF 50V K | | C2672 | QEKC1EM-106Z | E CAPACITOR | 10uF 25V M | |
| C2129 | QEKC1HM-475Z | E CAPACITOR | 4.7uF 50V M | | C2673 | QEKC1EM-106Z | E CAPACITOR | 10uF 25V M | |
| C2131 | NCF31CZ-104X | C CAPACITOR | 0.1uF 16V Z | | C2674 | NCF31CZ-104X | C CAPACITOR | 0.1uF 16V Z | |
| C2132 | NCF31CZ-104X | C CAPACITOR | 0.1uF 16V Z | | C2675 | NCF31CZ-104X | C CAPACITOR | 0.1uF 16V Z | |
| C2133 | NDC31HJ-330X | C CAPACITOR | 33pF 50V J | | C2676 | NCB31HK-221X | C CAPACITOR | 220pF 50V K | |
| C2134 | NDC31HJ-330X | C CAPACITOR | 33pF 50V J | | C2677 | NCB31HK-221X | C CAPACITOR | 220pF 50V K | |
| C2139 | QEKC1HM-475Z | E CAPACITOR | 4.7uF 50V M | | C2678 | QEKC1HM-475Z | E CAPACITOR | 4.7uF 50V M | |
| C2140 | QEKC1HM-475Z | E CAPACITOR | 4.7uF 50V M | | C2679 | NCF31CZ-104X | C CAPACITOR | 0.1uF 16V Z | |
| C2141 | NCF31CZ-104X | C CAPACITOR | 0.1uF 16V Z | | C2680 | QETN1CM-107Z | E CAPACITOR | 100uF 16V M | |
| C2142 | NCF31CZ-104X | C CAPACITOR | 0.1uF 16V Z | | C2681 | NCF31CZ-104X | C CAPACITOR | 0.1uF 16V Z | |
| C2143 | NDC31HJ-330X | C CAPACITOR | 33pF 50V J | | C2682 | NCF31CZ-104X | C CAPACITOR | 0.1uF 16V Z | |
| C2144 | NDC31HJ-330X | C CAPACITOR | 33pF 50V J | | C2683 | NCB31CK-223X | C CAPACITOR | 0.022uF 16V K | |
| C2181 | NCF31CZ-104X | C CAPACITOR | 0.1uF 16V Z | | C2684 | NCB31HK-102X | C CAPACITOR | 1000pF 50V K | |
| C2182 | NCF31CZ-104X | C CAPACITOR | 0.1uF 16V Z | | C2685 | NCF31CZ-104X | C CAPACITOR | 0.1uF 16V Z | |
| C2183 | NCB31HK-102X | C CAPACITOR | 1000pF 50V K | | C2686 | NCF31CZ-104X | C CAPACITOR | 0.1uF 16V Z | |
| C2184 | NCB31HK-102X | C CAPACITOR | 1000pF 50V K | | C2687 | NCF31CZ-104X | C CAPACITOR | 0.1uF 16V Z | |
| C2185 | NCB31HK-102X | C CAPACITOR | 1000pF 50V K | | C2688 | NCB31HK-103X | C CAPACITOR | 0.01uF 50V K | |
| C2186 | NCB31HK-102X | C CAPACITOR | 1000pF 50V K | | C2689 | NCB31HK-103X | C CAPACITOR | 0.01uF 50V K | |
| C2187 | NCB31HK-562X | C CAPACITOR | 5600pF 50V K | | C2690 | NCB31HK-103X | C CAPACITOR | 0.01uF 50V K | |
| C2188 | NCB31HK-562X | C CAPACITOR | 5600pF 50V K | | C2691 | NCB31HK-103X | C CAPACITOR | 0.01uF 50V K | |
| C2201 | NCB31HK-561X | C CAPACITOR | 560pF 50V K | | C2692 | NCB31HK-103X | C CAPACITOR | 0.01uF 50V K | |
| C2202 | NCB31HK-561X | C CAPACITOR | 560pF 50V K | | C2693 | NCF31CZ-104X | C CAPACITOR | 0.1uF 16V Z | |
| C2209 | QEKC1HM-225Z | E CAPACITOR | 2.2uF 50V M | | C2701 | QETN1CM-107Z | E CAPACITOR | 100uF 16V M | |
| C2210 | QEKC1HM-225Z | E CAPACITOR | 2.2uF 50V M | | C2702 | NCB31HK-103X | C CAPACITOR | 0.01uF 50V K | |
| C2229 | QEKC1HM-105Z | E CAPACITOR | 1uF 50V M | | C2703 | NDC31HJ-101X | C CAPACITOR | 100pF 50V J | |
| C2230 | QEKC1HM-105Z | E CAPACITOR | 1uF 50V M | | C2721 | NDC31HJ-101X | C CAPACITOR | 100pF 50V J | |
| C2281 | NCF31CZ-104X | C CAPACITOR | 0.1uF 16V Z | | C2731 | NCF31CZ-104X | C CAPACITOR | 0.1uF 16V Z | |
| C2282 | NCF31CZ-104X | C CAPACITOR | 0.1uF 16V Z | | C2751 | NCF31CZ-104X | C CAPACITOR | 0.1uF 16V Z | |
| C2283 | NCB31HK-331X | C CAPACITOR | 330pF 50V K | | C2771 | QETN1EM-476Z | E CAPACITOR | 47uF 25V M | |
| C2284 | NCB31HK-331X | C CAPACITOR | 330pF 50V K | | C2861 | NDC31HJ-101X | C CAPACITOR | 100pF 50V J | |
| C2285 | NCB31HK-331X | C CAPACITOR | 330pF 50V K | | C2862 | NCF31CZ-104X | C CAPACITOR | 0.1uF 16V Z | |
| C2286 | NCB31HK-331X | C CAPACITOR | 330pF 50V K | | C2871 | NDC31HJ-270X | C CAPACITOR | 27pF 50V J | |
| C2287 | NCB31HK-392X | C CAPACITOR | 3900pF 50V K | | C2873 | NCB31HK-103X | C CAPACITOR | 0.01uF 50V K | |
| C2288 | NCB31HK-392X | C CAPACITOR | 3900pF 50V K | | C2881 | NCB31HK-103X | C CAPACITOR | 0.01uF 50V K | |
| C2301 | NCB31HK-561X | C CAPACITOR | 560pF 50V K | | C2882 | NCB31HK-103X | C CAPACITOR | 0.01uF 50V K | |
| C2309 | QETN1HM-226Z | E CAPACITOR | 22uF 50V M | | C2883 | QEKC1EM-106Z | E CAPACITOR | 10uF 25V M | |
| C2323 | NCB31HK-562X | C CAPACITOR | 5600pF 50V K | | C2902 | QEKC1EM-106Z | E CAPACITOR | 10uF 25V M | |
| C2325 | NCB31HK-182X | C CAPACITOR | 1800pF 50V K | | C2903 | QETN1EM-476Z | E CAPACITOR | 47uF 25V M | |
| C2341 | NCF31CZ-104X | C CAPACITOR | 0.1uF 16V Z | | C2911 | QETN1AM-227Z | E CAPACITOR | 220uF 10V M | |
| C2342 | NCF31CZ-104X | C CAPACITOR | 0.1uF 16V Z | | C2912 | NCF31CZ-104X | C CAPACITOR | 0.1uF 16V Z | |
| C2343 | NDC31HJ-330X | C CAPACITOR | 33pF 50V J | | C2921 | QETN1CM-107Z | E CAPACITOR | 100uF 16V M | |
| C2381 | NCF31CZ-104X | C CAPACITOR | 0.1uF 16V Z | | C2922 | NCF31CZ-104X | C CAPACITOR | 0.1uF 16V Z | |
| C2382 | NCF31CZ-104X | C CAPACITOR | 0.1uF 16V Z | | C2923 | QETN1CM-107Z | E CAPACITOR | 100uF 16V M | |
| C2383 | NCB31HK-471X | C CAPACITOR | 470pF 50V K | | C2924 | NCF31CZ-104X | C CAPACITOR | 0.1uF 16V Z | |
| C2385 | NCB31HK-471X | C CAPACITOR | 470pF 50V K | | C2925 | NCF31CZ-104X | C CAPACITOR | 0.1uF 16V Z | |
| C2387 | NCB31HK-332X | C CAPACITOR | 3300pF 50V K | | C2926 | NCF31CZ-104X | C CAPACITOR | 0.1uF 16V Z | |
| C2401 | NCB31HK-561X | C CAPACITOR | 560pF 50V K | | C2951 | NCF31AZ-105X | C CAPACITOR | 1uF 10V Z | |
| C2409 | QETN1HM-226Z | E CAPACITOR | 22uF 50V M | | C2952 | NCF31AZ-105X | C CAPACITOR | 1uF 10V Z | |
| C2411 | NCF31CZ-104X | C CAPACITOR | 0.1uF 16V Z | | C2953 | NCF31AZ-105X | C CAPACITOR | 1uF 10V Z | |
| C2412 | NCF31CZ-104X | C CAPACITOR | 0.1uF 16V Z | | C2954 | NCF31AZ-105X | C CAPACITOR | 1uF 10V Z | |
| C2421 | NCF31CZ-104X | C CAPACITOR | 0.1uF 16V Z | | C2955 | NCF31AZ-105X | C CAPACITOR | 1uF 10V Z | |
| C2422 | NCF31CZ-104X | C CAPACITOR | 0.1uF 16V Z | | C2956 | NCF31CZ-104X | C CAPACITOR | 0.1uF 16V Z | |
| C2423 | NCB31CK-823X | C CAPACITOR | 0.082uF 16V K | | C2957 | NCF31CZ-104X | C CAPACITOR | 0.1uF 16V Z | |
| C2425 | QFN31HJ-333Z | M CAPACITOR | 0.033uF 50V J | | R2001 | NRSA63J-104X | MG RESISTOR | 100kΩ 1/16W J | |
| C2429 | QEKC1HM-475Z | E CAPACITOR | 4.7uF 50V M | | R2002 | NRSA63J-104X | MG RESISTOR | 100kΩ 1/16W J | |
| C2433 | NCB31CK-823X | C CAPACITOR | 0.082uF 16V K | | R2003 | NRSA63J-223X | MG RESISTOR | 22kΩ 1/16W J | |
| C2435 | QFN31HJ-333Z | M CAPACITOR | 0.033uF 50V J | | R2004 | NRSA63J-223X | MG RESISTOR | 22kΩ 1/16W J | |
| C2483 | NCB31HK-471X | C CAPACITOR | 470pF 50V K | | R2007 | NRSA63J-223X | MG RESISTOR | 22kΩ 1/16W J | |
| C2485 | NCB31HK-471X | C CAPACITOR | 470pF 50V K | | R2008 | NRSA63J-223X | MG RESISTOR | 22kΩ 1/16W J | |
| C2487 | NCB31HK-332X | C CAPACITOR | 3300pF 50V K | | R2011 | NRSA63J-223X | MG RESISTOR | 22kΩ 1/16W J | |
| C2601 | QETN1CM-107Z | E CAPACITOR | 100uF 16V M | | R2012 | NRSA63J-223X | MG RESISTOR | 22kΩ 1/16W J | |
| C2606 | NCF31CZ-104X | C CAPACITOR | 0.1uF 16V Z | | R2013 | NRSA63J-223X | MG RESISTOR | 22kΩ 1/16W J | |
| C2607 | NCF31CZ-104X | C CAPACITOR | 0.1uF 16V Z | | R2014 | NRSA63J-223X | MG RESISTOR | 22kΩ 1/16W J | |
| C2608 | NCF31CZ-104X | C CAPACITOR | 0.1uF 16V Z | | R2017 | NRSA63J-472X | MG RESISTOR | 4.7kΩ 1/16W J | |
| C2611 | NCF31CZ-104X | C CAPACITOR | 0.1uF 16V Z | | R2018 | NRSA63J-472X | MG RESISTOR | 4.7kΩ 1/16W J | |
| C2612 | NCF31CZ-104X | C CAPACITOR | 0.1uF 16V Z | | R2021 | NRSA63J-331X | MG RESISTOR | 330Ω 1/16W J | |
| C2613 | NCF31CZ-104X | C CAPACITOR | 0.1uF 16V Z | | R2022 | NRSA63J-331X | MG RESISTOR | 330Ω 1/16W J | |
| C2614 | NCB31HK-102X | C CAPACITOR | 1000pF 50V K | | R2023 | NRSA63J-331X | MG RESISTOR | 330Ω 1/16W J | |
| C2621 | NCF31CZ-104X | C CAPACITOR | 0.1uF 16V Z | | R2024 | NRSA63J-331X | MG RESISTOR | 330Ω 1/16W J | |
| C2622 | NCF31CZ-104X | C CAPACITOR | 0.1uF 16V Z | | R2101 | NRSA63J-103X | MG RESISTOR | 10kΩ 1/16W J | |
| C2623 | NCF31CZ-104X | C CAPACITOR | 0.1uF 16V Z | | R2102 | NRSA63J-103X | MG RESISTOR | 10kΩ 1/16W J | |
| C2631 | NCF31CZ-104X | C CAPACITOR | 0.1uF 16V Z | | R2103 | NRSA63J-102X | MG RESISTOR | 1kΩ 1/16W J | |
| C2632 | NCF31CZ-104X | C CAPACITOR | 0.1uF 16V Z | | R2104 | NRSA63J-102X | MG RESISTOR | 1kΩ 1/16W J | |
| C2633 | NCF31CZ-104X | C CAPACITOR | 0.1uF 16V Z | | | | | | |

| △ Symbol No. | Part No. | Part Name | Description | Local |
|--------------|---------------|----------------|---------------|-------|
| R2726 | NRSA63J-822X | MG RESISTOR | 8.2kΩ 1/16W J | |
| R2727 | NRSA63J-432X | MG RESISTOR | 4.3kΩ 1/16W J | |
| R2728 | NRSA63J-221X | MG RESISTOR | 220Ω 1/16W J | |
| R2731 | NRSA63J-221X | MG RESISTOR | 220Ω 1/16W J | |
| R2732 | NRSA63J-221X | MG RESISTOR | 220Ω 1/16W J | |
| R2733 | NRSA63J-221X | MG RESISTOR | 220Ω 1/16W J | |
| R2734 | NRSA63J-221X | MG RESISTOR | 220Ω 1/16W J | |
| R2735 | NRSA63J-221X | MG RESISTOR | 220Ω 1/16W J | |
| R2736 | NRSA63J-221X | MG RESISTOR | 220Ω 1/16W J | |
| R2738 | NRSA63J-221X | MG RESISTOR | 220Ω 1/16W J | |
| R2739 | NRSA63J-221X | MG RESISTOR | 220Ω 1/16W J | |
| R2743 | NRSA63J-221X | MG RESISTOR | 220Ω 1/16W J | |
| R2744 | NRSA63J-221X | MG RESISTOR | 220Ω 1/16W J | |
| R2745 | NRSA63J-221X | MG RESISTOR | 220Ω 1/16W J | |
| R2751 | NRSA63J-102X | MG RESISTOR | 1kΩ 1/16W J | |
| R2752 | NRSA63J-103X | MG RESISTOR | 10kΩ 1/16W J | |
| R2761 | NRSA63J-105X | MG RESISTOR | 1MΩ 1/16W J | |
| R2762 | NRSA63J-105X | MG RESISTOR | 1MΩ 1/16W J | |
| R2763 | NRSA63J-105X | MG RESISTOR | 1MΩ 1/16W J | |
| R2771 | NRSA63J-102X | MG RESISTOR | 1kΩ 1/16W J | |
| R2772 | NRSA63J-105X | MG RESISTOR | 1MΩ 1/16W J | |
| R2773 | NRSA63J-105X | MG RESISTOR | 1MΩ 1/16W J | |
| R2861 | NRSA63J-221X | MG RESISTOR | 220Ω 1/16W J | |
| R2862 | NRSA63J-392X | MG RESISTOR | 3.9kΩ 1/16W J | |
| R2871 | NRSA63J-750X | MG RESISTOR | 75Ω 1/16W J | |
| R2872 | NRSA63J-102X | MG RESISTOR | 1kΩ 1/16W J | |
| R2921 | NRSA63J-182X | MG RESISTOR | 1.8kΩ 1/16W J | |
| R2922 | NRSA63J-112X | MG RESISTOR | 1.1kΩ 1/16W J | |
| CN681 | QGB2510K1-07 | CONNECTOR | B-B (1-7) | |
| CN683 | QGB2510K1-14 | CONNECTOR | B-B (1-14) | |
| EP681 | E409182-001SM | GRAND TERMINAL | | |
| J681 | QNN0481-001 | PIN JACK | | |
| K2861 | NQR0269-004X | FERRITE BEADS | | |
| UN682 | GP1FAV50RK0F | OPT RECEIVER | | |
| X661 | QAX0722-001Z | CRYSTAL | | |
| X671 | QAX0719-001Z | 1COSCIALLATOR | | |

Packing materials and accessories parts list

Block No. M 3 M M

No additional / supplemental order of WARRANTY CARDS are available



Packing and Accessories

Block No. [M][3][M][M]

| △ Symbol No. | Part No. | Part Name | Description | Local |
|--------------|--------------|---------------|-----------------|---|
| A 1 | LVT1507-001A | INST BOOK | ENG | 5060BJ |
| A 1 | LVT1507-002A | INST BOOK | ENG FRE | 5060BC |
| A 1 | LVT1507-004A | INST BOOK | GER FRE | 5060BE,5062SE |
| A 1 | LVT1507-003A | INST BOOK | ENG | 5062SB |
| A 1 | LVT1507-006A | INST BOOK | SPA POL | 5062SEN |
| A 1 | LVT1507-008A | INST BOOK | CZE POL HUN RUS | 5062SEV |
| A 2 | LVT1507-005A | INST BOOK | ITA DUT | 5060BE,5062SE |
| A 2 | LVT1507-007A | INST BOOK | DAN FIN SWE | 5062SEN |
| A 2 | LVT1507-009A | INST BOOK | CZE POL HUN RUS | 5062SEV |
| A 3 | RM-SRX5060J | REMOCON | | 5060BJ,5060BC |
| A 3 | RM-SRX5060R | REMOCON | | 5060BE |
| A 3 | RM-SRX5062R | REMOCON | | 5062SE,5062SB,5062SEN,5062SEV |
| A 4 | R6UW/2STS | BATTERY | (x2) | |
| A 5 | QAL0595-001 | ANTENNA | | |
| A 6 | QAL0014-003 | AM LOOP ANT | | |
| A 7 | ----- | WARRANTY CARD | BT-52006-2 | 5060BC |
| A 7 | ----- | WARRANTY CARD | BT-54027-1 | 5060BE,5062SE,5062SB,5062SEN, 5062SEV |
| A 8 | BT-51034-2 | REGIST CARD | | 5060BJ |
| A 8 | VNA3000-204 | REGIST CARD | | 5062SB |
| A 9 | YU20333 | SAFETY INST. | | 5060BJ,5060BC |
| P 1 | LV21650-024A | CARTON BOX | | 5060BJ,5060BC |
| P 1 | LV21650-025A | CARTON BOX | | 5060BE |
| P 1 | LV21650-027A | CARTON BOX | | 5062SE,5062SEN,5062SEV |
| P 1 | LV21650-028A | CARTON BOX | | 5062SB |
| P 2 | LV21634-003A | CUSHION | | |
| P 3 | LV21635-002A | CUSHION | | |
| P 4 | QPC06507015P | POLY BAG | 65cm x 70cm | |
| P 5 | QPA02503505P | POLY BAG | 25cm x 35cm | |
| P 6 | LV30256-014A | SHEET | | |
| P 7 | LV32034-009A | SHEET | (x2) | 5060BJ,5060BC,5060BE,5062SE, 5062SEN,5062SEV |
| P 7 | LV32034-008A | SHEET | | 5062SB |
| P 8 | LV34107-005A | PACKING SHEET | | 5062SB |